

SUNSHIELD: protection against solar rays and reduction of housing internal temperature from 5° up to 10°C.

HEATING: circuit made up of a thermostatically controlled 20W or 40W heating element PTC, Ton 15°C+/-3°C (59°F) Toff 22°C +/-3°C (71°F). It is available in 12VDC/24VAC, 20W voltage or 115/230VAC, 40W voltage.

BLOWER: blowing circuit with a thermostatically controlled cooling ventilator (Ton ≤ 35°C, 95°F; Toff ≥ 20°C, 68°F) and air filter. It is available in 12VDC, 24VAC and 230VAC versions, pre-installed in the housing or as optional kit. Blower consumption 4 W max.

CAMERA POWER SUPPLY: camera feeding circuit, which can be installed inside the housing, available in different versions: 115VAC or 230VAC input and 24VAC or 12VDC output.

WEATHERPROOF JUNCTION BOX: external junction box, weatherproof standard IP55, allowing the housing of wiring harnesses or auxiliary cards. The model containing the camera power supply card is available in the 100-240VAC input, 50/60Hz output 12VDC, 1A max version or 230VAC input, 50Hz output 24VAC, 400mA max version. Supplied with 4 PG9 cable glands.

DOUBLE HEATING: circuit made up of a thermostatically controlled double PTC (Ton 15°C+/-3°C, 59°F; Toff 22°C +/-3°C, 71°F) with total power of 80W, 115/230VAC, for installations where extreme temperatures are very rigorous. Operating temperatures down to -40 °C (-40°F). Available for HEG and HEP housings.

TRIPLE HEATING: circuit made up of a thermostatically controlled triple fan-assisted PTC (Ton 15°C+/-3°C, 59°F; Toff 22°C +/-3°C, 71°F) with total power of 120W, 115/230VAC. Operating temperatures down to -50 °C (-58°F). Available for HEG housing.

WIPER: wiper kit which can be directly installed on the housing body. It completes the support for the pump washing injector. Available in 24VAC and 230VAC versions. Available for HEG series housing.

WASHER AND RESERVOIR: glass washing kit available with 5 or 25 l (1.3 or 6.6 gal) reservoir. The pump is available in 24VAC and 230VAC, 1A and in 230VAC with high delivery, up to 30 m (100 ft). Available for HEG series housing.

FAN ASSISTED HEATER: it allows forced air circulation and homogeneous temperature inside the housing. Available for VERSO, VERSO COMPACT, HEK, HEB, HEA and HEM housings.

ALARM TAMPER SWITCH: alarm contact which verifies tampering of the housing. Available for VERSO housing.

- Covering any installation requirement
- Supplied factory-installed or as a simple kit





HOUSINGS AND ACCESSORIES CHART

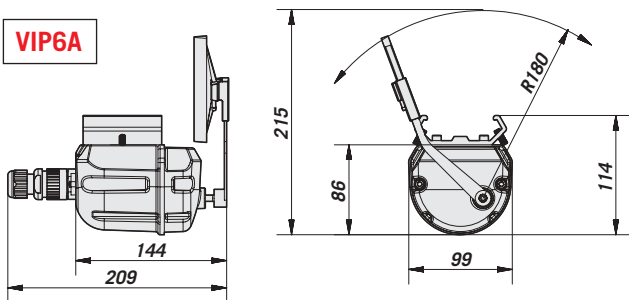
	VERSO	VERSO COMPACT	HEK26	HEK30	HEG37	HEG47	HEP32	HEC26	HEC32	HEB26	HEB32
Sunshield	OHPVS42	OHPVS36	OHEKS26	OHEKS30	OHEGS37	OHEGS47	OHEPS32	OHECS26	OHECS32	OHEBS26	OHEBS32
Heater 12VDC/24VAC	OHPVH2	OHPVH2	OHEH22	OHEH22	OHEH25	OHEH25	OHEH05	OHEH09	OHEH09	OHEH09	OHEH09
Heater 115/230VAC	OHPVH1	OHPVH1	OHEH21	OHEH21	OHEH24	OHEH24	OHEH06	OHEH10	OHEH10	OHEH10	OHEH10
Blower 12VDC			OHEKVF1	OHEKVF1			OHEPVF1	OHECVF1	OHECVF1	OHEBVF1	OHEBVF1
Blower 24VAC			OHEKVF2	OHEKVF2			OHEPVF2	OHECVF2	OHECVF2	OHEBVF2	OHEBVF2
Blower 230VAC	OHPVCF3				OHEGCF3	OHEGCF3	OHEPVF3	OHECVF3	OHECVF3	OHEBVF3	OHEBVF3
Camera power supply 12VDC	OHEPS19B	OHEPS19B	OHEHPS10	OHEHPS10	OHEPS19B	OHEPS19B	OHEPS01	OHEPS01	OHEPS01	OHEPS01	OHEPS01
Camera power supply 24VAC	OHEPS20	OHEPS20	OHEHPS11	OHEHPS11	OHP20	OHP20	OHEPS02	OHEPS02	OHEPS02	OHEPS02	OHEPS02
Weatherproof junction box IP55	OHEHGBB	OHEHGBB	OHEHGBB	OHEHGBB	OHEHGBB	OHEHGBB	OHEHGBB	OHEHGBB	OHEHGBB	OHEHGBB	OHEHGBB
Power supply 12VDC on weatherproof junction box	OHEGBPS1B	OHEGBPS1B	OHEGBPS1B	OHEGBPS1B	OHEGBPS1B	OHEGBPS1B	OHEGBPS1B	OHEGBPS1B	OHEGBPS1B	OHEGBPS1B	OHEGBPS1B
Power supply 24VAC on weatherproof junction box	OHEGBPS2B	OHEGBPS2B	OHEGBPS2B	OHEGBPS2B	OHEGBPS2B	OHEGBPS2B	OHEGBPS2B	OHEGBPS2B	OHEGBPS2B	OHEGBPS2B	OHEGBPS2B
Wiper 24VAC					VIP6A2	VIP6A2					
Wiper 230VAC					VIP6A1	VIP6A1					
Washer + reservoir, 24VAC					VIP5WAS02 VIP25WAS02	VIP5WAS02 VIP25WAS02					
Washer + reservoir, 230VAC					VIP5WAS01 VIP25WAS01	VIP5WAS01 VIP25WAS01					
Fan assisted heater 12VDC	OHPV1	OHPV1									
Fan assisted heater 24VAC	OHPV2	OHPV2	Factory installed	Factory installed					Factory installed	Factory installed	Factory installed
Fan assisted heater 230VAC	OHPV3	OHPV3									
Alarm tamper switch	OHPVTA1										

HOUSINGS AND ACCESSORIES CHART

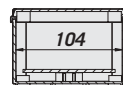
	HOV	HEA26	HEA30	HEM22	HEM26	HEM30	HET10	HET16	HET22	HET30
Sunshield	OHOVS30	OHEAS26	OHEAS30	OHEMS22	OHEMS26	OHEMS30	OHETS10	OHETS16	OHETS22	OHETS30
Heater 12VDC/24VAC	OHEH15	OHEH01	OHEH01	OHEH01	OHEH01	OHEH01		OHEH01	OHEH01	OHEH01
Heater 115/230VAC	OHEH16	OHEH02	OHEH02	OHEH02	OHEH02	OHEH02		OHEH02	OHEH02	OHEH02
Blower 12VDC	OHOVVF1	OHEAVF1	OHEAVF1	OHEMV1	OHEMV1	OHEMV1				
Blower 24VAC	OHOVVF2	OHEAVF2	OHEAVF2	OHEMV2	OHEMV2	OHEMV2				
Blower 230VAC	OHOVVF3	OHEAVF3	OHEAVF3							
Camera power supply 12VDC	OHOVPS1	OHEPS05	OHEPS05	OHEPS05	OHEPS05	OHEPS05				
Camera power supply 24VAC	OHOVPS2	OHEPS06	OHEPS06	OHEPS06	OHEPS06	OHEPS06				
Weatherproof junction box IP55	OHEHGBB	OHEHGBB	OHEHGBB	OHEHGBB	OHEHGBB	OHEHGBB	OHEHGBB	OHEHGBB	OHEHGBB	OHEHGBB
Power supply 12VDC on weatherproof junction box	OHEGBPS1B	OHEGBPS1B	OHEGBPS1B	OHEGBPS1B	OHEGBPS1B	OHEGBPS1B	OHEGBPS1B	OHEGBPS1B	OHEGBPS1B	OHEGBPS1B
Power supply 24VAC on weatherproof junction box	OHEGBPS2B	OHEGBPS2B	OHEGBPS2B	OHEGBPS2B	OHEGBPS2B	OHEGBPS2B	OHEGBPS2B	OHEGBPS2B	OHEGBPS2B	OHEGBPS2B
Wiper 24VAC										
Wiper 230VAC										
Washer + reservoir, 24VAC										
Washer + reservoir, 230VAC										
Fan assisted heater 12VDC										
Fan assisted heater 24VAC		Factory installed	Factory installed			Factory installed				
Fan assisted heater 230VAC										
Alarm tamper switch										



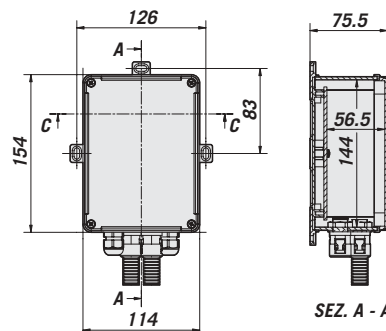
VIP6A



OHEGGB

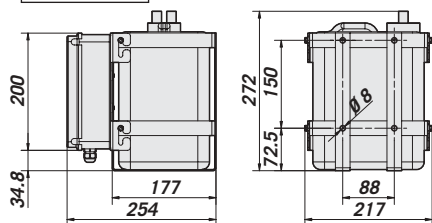


SEZ. C - C



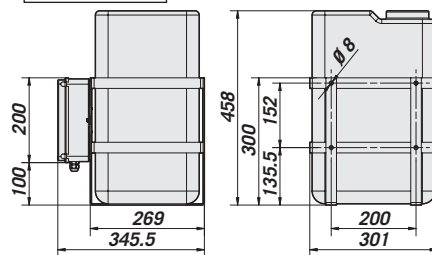
SEZ. A - A

VIP5WAS

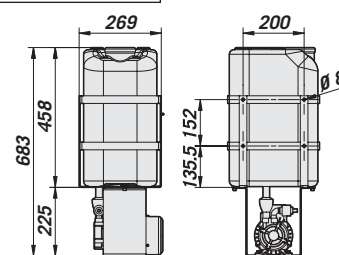


The values are in millimeters.

VIP25WAS



VIP25WASA01



TECHNICAL DATA

GENERAL

Sunshield:

- Extruded aluminium
- Epoxypolyester powder painted colour RAL9002
- Built in tecnopolymer RAL9002 colour, models VERSO and VERSO COMPACT

Wiper:

- Entirely built in reinforced polypropylene
- RAL9002 colour
- IP66

MECHANICAL

OHEGGB:

- 4 PG9 cable glands

Wiper:

- Dimensions (WxHxL): 99x114x209 mm (3.8x4.4x8.2 in) (not comprehensive of blade)
- Weight 0,7 kg (1.5 lb)
- Connector 3+1 PINS

Washer pump:

- Dimensions WxHxL: VIP5WAS 217x272x254 mm (8.5x10.7x10 in)
- Dimensions WxHxL: VIP25WAS 301x458x345 mm (11.8x18x13.58 in)
- Dimensions WxHxL: VIP25WASA01 710x300x270 mm (28x12x11 in)
- Reservoir capacity: VIP5WAS 5 l (1.3 gal)
- Reservoir capacity: VIP25WAS / VIP25WASA01 25 l (6.6 gal)
- Delivery head: VIP5WAS / VIP25WAS max 5 m (16 ft)
- Delivery head: VIP25WASA01 max 30 m (98 ft)
- Tube length: VIP5WAS / VIP25WAS 4 m (13 ft)
- Tube length: VIP25WASA01 30 m (98.5 ft)

ELECTRICAL

Heaters:

- IN 12VDC/24VAC, consumption 20W
- IN 115/230VAC, consumption 40W

Power supply:

For VERSO, VERSO COMPACT and HEG

- IN 100-240VAC, 50/60Hz - OUT 12VDC, 1A max
- IN 230VAC, 50Hz - OUT 24VAC, 400mA max

For HEK:

- IN 230VAC, 50Hz - OUT 12VDC, 350mA max
- IN 230VAC, 50Hz - OUT 24VAC, 350mA max

For HEP, HEB-HEC, HOV, HEA, HEM:

- IN 230VAC, 50Hz - OUT 12VDC, 400mA max
- IN 230VAC, 50Hz - OUT 24VAC, 400mA max

Power supply on weatherproof junction box:

- OHEGBPS1B IN 100-240VAC, 50/60Hz - OUT 12VDC, 1A max
- OHEGBPS2B IN 230VAC, 50Hz - OUT 24VAC, 400mA max

Wiper:

- VIP6A1 IN 230VAC, consumption 7W
- VIP6A2 IN 24VAC, consumption 7W

Washer pump:

- VIP5WAS01 IN 230VAC, consumption 12W
- VIP5WAS02 IN 24VAC, consumption 12W
- VIP25WAS01 IN 230VAC, consumption 12W
- VIP25WAS02 IN 24VAC, consumption 12W
- VIP25WASA01 IN 230VAC, consumption 600W

SPARE PARTS

SPATER Wiper blade for VIP6A

Unit Weight (kg / lb):
 OHEGGB: 0,4 / 0.88
 OHEGGS1B: 0,93 / 2.05
 OHEGGS2B: 1,07 / 2.35
 VIP6A: 2 / 1.5
 VIP25WAS: 4,5 / 9.92

Package Weight (kg / lb):
 OHEGGB: 0,6 / 1.32
 OHEGGS1B: 1,1 / 2.42
 OHEGGS2B: 1,25 / 2.75
 VIP6A: 2,5 / 2.86
 VIP25WAS: 5,4 / 11.9

Package Dimensions (cm / in):
 OHEGGB: 17x34,5x13 / 6.69x13.58x5.11
 OHEGGS1B: 17x34,5x13 / 6.69x13.58x5.11
 OHEGGS2B: 17x34,5x13 / 6.69x13.58x5.11
 VIP6A: 17,5x27x22,5 / 17.5x27x22.5
 VIP25WAS: 39,5x34x57 / 45.55x13.38x22.44

Master Carton (units):
 OHEGGB: 16
 OHEGGS1B:
 OHEGGS2B:
 VIP6A:
 VIP25WAS: