

BRACKETS - Gooseneck Wall Mount WM20G

DESCRIPTION

With its distinctive gooseneck design, the WM20G presents a sleek, attractive look. This wall mount will support most VIDEOLARM outdoor domes, as well as those of many other manufacturers.

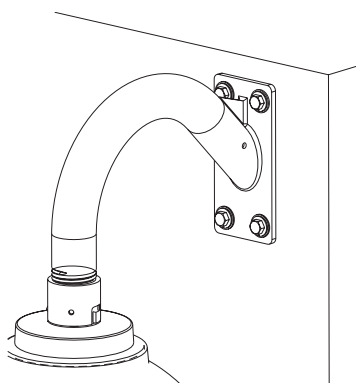
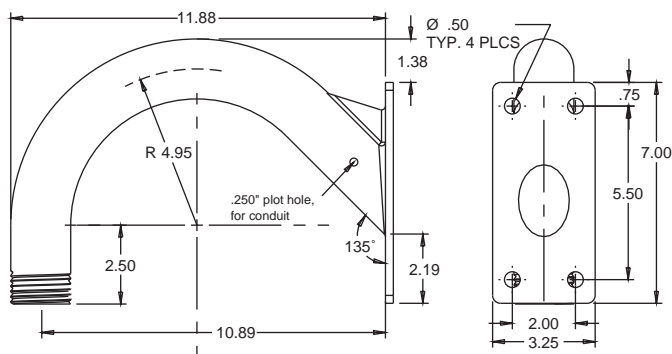


FEATURES:

- Durable powder coat finish
- All aluminum construction
- 1 1/2" pipe thread on end for quick and easy dome mounting
- 60 lb load rating

APPLICATIONS:

The WM20G is designed to be used with pendant mount versions of the SuperDome™, PressurDome™, and FusionDome™. Not for use with the VLP20 Spherical Dome or the DeputyDome™.



SHIPPING SPECIFICATIONS

Model	Unit Weight	Shipping Weight	Shipping Box Dim.
WM20G		Call manufacturer for details	

* Shipping weights depend on box dimensions.