



Verkada Accessories

Mounts for Cameras



Table of Contents

3-5	Camera Mounts Overview
6	ACC-MNT-ARM-1 Arm Mount
7	ACC-MNT-MPEND-1 Mini Pendant Cap Mount
8	ACC-MNT-MJBOX-1 Mini Junction Box Mount
9	ACC-MNT-SJBOX-1 Square Junction Box Mount
10	ACC-CAM-SHIELD-1 Camera Weather Shield
11	ACC-MNT-CLIP-1 Tile Clip Mount
12	ACC-MNT-MREC-1 Mini Recessed Ceiling Mount
13	ACC-MNT-XLARM-1 Large Arm Mount
14	ACC-MNT-CORNER-1 Corner Mount
15	ACC-MNT-POLE-1 Pole Mount
16	ACC-MNT-PEND-1 Pendant Cap Mount
17	ACC-MNT-UPEND-1 Umbrella Pendant Cap Mount
18	ACC-MNT-CJBOX-1 Circle Junction Box Mount
19	ACC-MNT-ANGLE-1 Angle Mount
20	ACC-MNT-LBRAC-1 L-Bracket Mount
21	ACC-MNT-REC-2 Recessed Ceiling Mount
22	ACC-MNT-YJBOX-1 Two-Camera Multisensor Junction Box Mount
23	ACC-MNT-YPEND-1 Two-Camera Multisensor Pendant Cap Mount
24	ACC-MNT-HPEND-1 Four-Camera Multisensor Pendant Cap Mount
25	ACC-MNT-HREC-1 Four-Camera Multisensor Recessed Ceiling Mount
26	ACC-CAM-MNT-CBPOLE-1 Bullet Camera Pole Mount
27	ACC-CAM-CB-VSR-1 Bullet Camera Extended Visor



Verkada mounts

Out of the box, each Verkada camera is able to be surface-mounted or attached to a variety of different junction box sizes. If there's a need or preference to use a specific mount, Verkada offers a full line of mounts.

Camera mounts overview



ACC-MNT-ARM-1

Arm Mount

Compatible with Mounts:

ACC-MNT-CORNER-1, ACC-MNT-HPEND-1, ACC-MNT-MPEND-1, ACC-MNT-PEND-1, ACC-MNT-POLE-1, ACC-MNT-SJBOX-1, ACC-MNT-UPEND-1, ACC-MNT-YPEND-1



ACC-MNT-MPEND-1

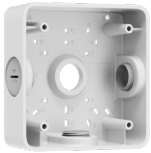
Mini Pendant Cap Mount

Compatible with Cameras:

Mini Series

Mounts:

ACC-MNT-ARM-1



ACC-MNT-SJBOX-1

Square Junction Box Mount

Compatible with Cameras:

Bullet Series

Mounts:

ACC-MNT-ARM-1, ACC-MNT-CORNER-1, ACC-MNT-LBRAC-1, ACC-MNT-MJBOX-1, ACC-MNT-POLE-1



ACC-CAM-SHIELD-1

Camera Weather Shield

Compatible with Cameras:

Dome Series, Fisheye Series

Mounts:

ACC-MNT-CORNER-1, ACC-MNT-POLE-1



ACC-MNT-MJBOX-1

Mini Junction Box Mount

Compatible with Cameras:

Mini Series

Mounts:

ACC-MNT-SJBOX-1



Camera mounts overview



ACC-MNT-MREC-1
Mini Recessed Ceiling Mount

Compatible with Cameras:
Indoor Mini Series

Mounts:
N/A



ACC-MNT-XLARM-1
Large Arm Mount

Compatible with Cameras:
PTZ Series

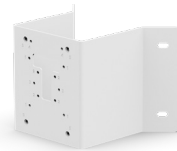
Mounts:
ACC-MNT-CORNER-1, ACC-MNT-HPEND-1, ACC-MNT-PEND-1, ACC-MNT-POLE-1, ACC-MNT-UPEND-1, ACC-MNT-YPEND-1



ACC-MNT-CLIP-1
Tile Clip Mount

Compatible with Cameras:
Indoor Dome Series, Mini Series, Fisheye Series

Mounts:
N/A



ACC-MNT-CORNER-1
Corner Mount

Compatible with Cameras:
Dome Series, Bullet Series, Mini Series, Fisheye Series, CY53-E and CY63-E

Mounts:
ACC-CAM-SHIELD-1, ACC-MNT-ANGLE-1, ACC-MNT-ARM-1, ACC-MNT-CJBOX-1, ACC-MNT-LBRAC-1, ACC-MNT-SJBOX-1, ACC-MNT-XLARM-1, ACC-MNT-YJBOX-1



ACC-MNT-PEND-1
Pendant Cap Mount

Compatible with Cameras:
Dome Series, Fisheye Series, CH52-E

Mounts:
ACC-MNT-ARM-1, ACC-MNT-XLARM-1



ACC-MNT-POLE-1
Pole Mount

Compatible with Cameras:
Dome Series, Bullet Series, Mini Series, Fisheye Series, CY53-E and CY63-E

Mounts:
ACC-CAM-SHIELD-1, ACC-MNT-ANGLE-1, ACC-MNT-ARM-1, ACC-MNT-CJBOX-1, ACC-MNT-LBRAC-1, ACC-MNT-SJBOX-1, ACC-MNT-XLARM-1, ACC-MNT-YJBOX-1



ACC-MNT-UPEND-1
Umbrella Pendant Cap Mount

Compatible with Cameras:
Outdoor Dome Series, Fisheye Series

Mounts:
ACC-MNT-ARM-1, ACC-MNT-XLARM-1



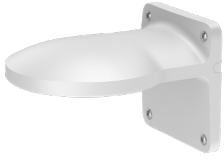
ACC-MNT-CJBOX-1
Circle Junction Box Mount

Compatible with Cameras:
Dome Series, Fisheye Series

Mounts:
ACC-MNT-CORNER-1, ACC-MNT-POLE-1



Camera mounts overview

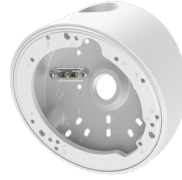


ACC-MNT-LBRAC-1

L-Bracket Mount

Compatible with Cameras:
Dome Series

Mounts:
ACC-MNT-CORNER-1,
ACC-MNT-POLE-1,
ACC-MNT-SJBOX-1



ACC-MNT-ANGLE-1

Angle Mount

Compatible with Cameras:
Dome Series, Fisheye Series

Mounts:
ACC-MNT-CORNER-1,
ACC-MNT-POLE-1



ACC-MNT-REC-2

Recessed Ceiling Mount

Compatible with Cameras:
Indoor Dome Series

Mounts:
N/A



ACC-MNT-YJBOX-1

Two-Camera Multisensor Junction
Box Mount

Compatible with Cameras:
CY53-E and CY63-E

Mounts:
ACC-MNT-CORNER-1,
ACC-MNT-POLE-1



ACC-MNT-YPEND-1

Two-Camera Multisensor Pendant
Cap Mount

Compatible with Cameras:
CY53-E and CY63-E

Mounts:
ACC-MNT-ARM-1,
ACC-MNT-XLARM-1



ACC-MNT-HPEND-1

Four-Camera Multisensor Pendant
Cap Mount

Compatible with Cameras:
CH53-E and CH63-E

Mounts:
ACC-MNT-ARM-1,
ACC-MNT-XLARM-1



ACC-MNT-HREC-1

Four-Camera Multisensor Recessed
Ceiling Mount

Compatible with Cameras:
CH53-E and CH63-E

Mounts:
N/A



ACC-CAM-MNT-CBPOLE-1

Bullet Camera Pole Mount

Compatible with Cameras:
CB53-E, CB63-E, CB53-TE, CB63-TE

Mounts:
N/A



ACC-CAM-CB-VSR-1

Bullet Camera Extended Visor

Compatible with Cameras:
CB53-TE, CB63-TE

Mounts:
N/A



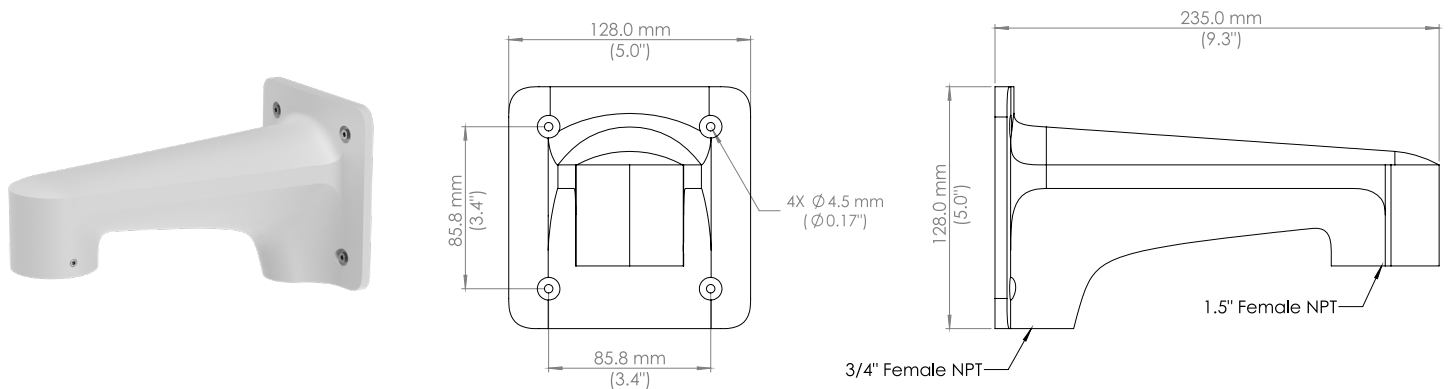
ACC-MNT-ARM-1 Arm Mount Kit

Wall mount for Dome, Fisheye, Mini, and Multisensor Series cameras. Includes 1.5" NPT to connect to pendant caps and 3/4" NPT at the base for conduit.

Compatible with

Cameras: Dome Series, Fisheye Camera, Mini Series, Multisensor Camera with additional mounts.

Mounts: ACC-MNT-8, ACC-MNT-CORNER-1, ACC-MNT-MPEND-1, ACC-MNT-SJBOX-1, ACC-MNT-POLE-1, ACC-MNT-UPEND-1, ACC-MNT-PEND-1



Tech Specs

Model Number	ACC-MNT-ARM-1	Weight	800g / 28.2oz
Material	Aluminum alloy	Box Dimensions	280x143x147mm / 11.0x5.6x5.8in
Dimensions	128x128x235mm / 5.0x5.0x9.3in	Box Weight	1150g / 40.6oz
Color	White	Box Includes	Arm mount, 4x machine screws, 4x wood screws, 4x wall anchors, 1x hex key



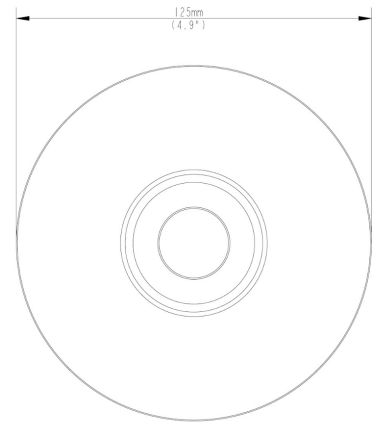
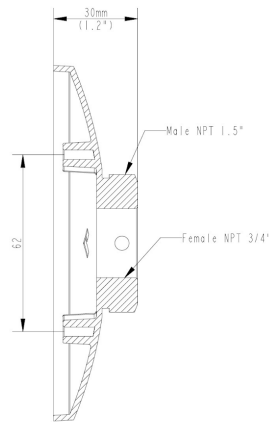
ACC-MNT-MPEND-1 Mini Pendant Cap Mount

Threaded cap for mounting a Mini Series camera to 3/4" NPT threaded drop pipe, 1.5" NPT threads, or a Verkada Arm Mount.

Compatible with

Cameras: Mini Series

Mounts: ACC-MNT-ARM-1



Tech Specs

Model Number	ACC-MNT-MPEND-1	Weight	125.5g / 4.43oz
Material	Aluminum alloy	Box Dimensions	127x127x45mm / 5x5x1.8in
Dimensions	Ø125x30mm / Ø4.9x1.2in	Box Weight	180g / 6.3oz
Color	White	Box Includes	Pendant cap, mounting fasteners, hex key



ACC-MNT-MJBOX-1

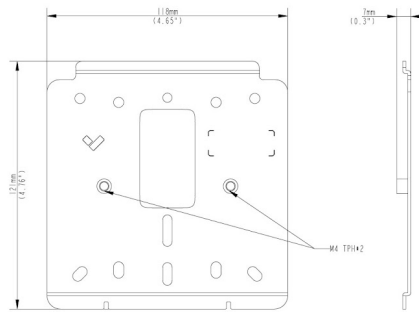
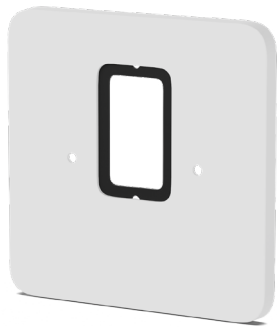
Mini Junction Box Mount

For mounting a Mini Series camera to a standard junction box.

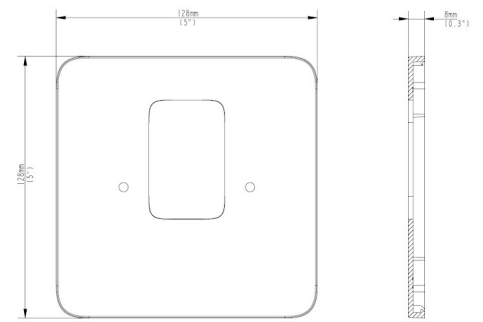
Compatible with

Cameras: Mini Series

Mounts: ACC-MNT-SJBOX-1



Metal mount plate



Plastic cover

Tech Specs

Model Number	ACC-MNT-MJBOX-1	Weight	220g / 7.8oz
Material	Steel mount plate, polycarbonate cover	Box Dimensions	148x136x29mm / 5.8x5.4x1.1in
Dimensions	127.95x127.95x8.5mm / 5x5x0.3in	Box Weight	260g / 9.2oz
Color	Black mount plate, white cover	Box Includes	Polycarbonate cover, steel mount plate, mounting fasteners



ACC-MNT-SJBOX-1 Square Junction Box Mount

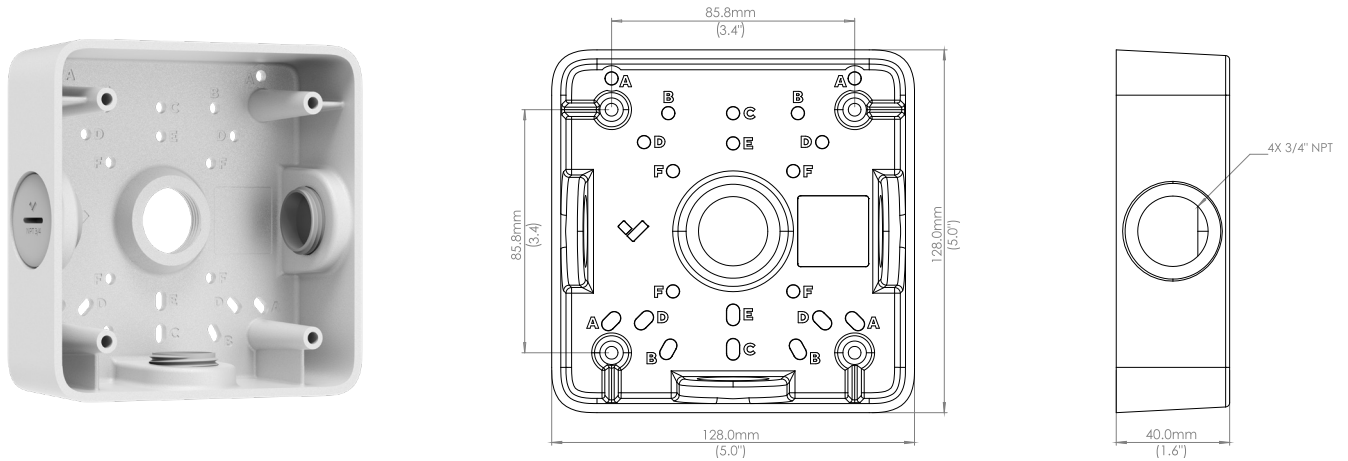
Junction Box for mounting Bullet and Mini Series cameras.

Compatible with

Cameras: Bullet (except first-generation Bullets) and Mini Series Cameras.

Mounts: ACC-MNT-CORNER-1, ACC-MNT-POLE-1, ACC-MNT-MJBOX-1, ACC-MNT-ARM-1, ACC-MNT-LBRAC-1

Note: To mount a Mini camera with the ACC-MNT-SJBOX-1, pair it with an ACC-MNT-MJBOX-1.



Tech Specs

Model Number	ACC-MNT-SJBOX-1	Weight	337g / 11.0oz
Material	Aluminum alloy	Box Dimensions	150x140x50mm / 5.9x5.5x2.0in
Dimensions	128x128x40mm / 5x5x1.6in	Box Weight	450g / 15.9oz
Color	White	Box Includes	Junction box, 3x 3/4" NPT plugs, 4x machine screws



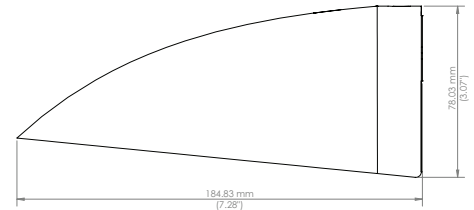
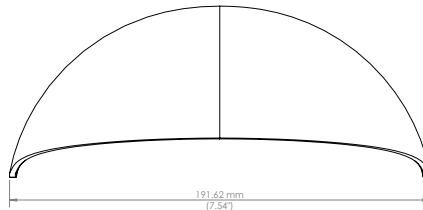
ACC-CAM-SHIELD-1 Camera Weather Shield

Weather shield for protecting Dome and Fisheye Series.

Compatible with

Cameras: Dome Series, Fisheye Camera

Mounts: ACC-MNT-ANGLE-1, ACC-MNT-CORNER-1, ACC-MNT-POLE-1



Tech Specs

Model Number	ACC-CAM-SHIELD-1	Weight	173g / 6.1oz
Material	Steel mount plate, polycarbonate visor	Box Dimensions	217x185x75mm / 8.5x7.3x3.0in
Dimensions	192x185x78mm / 7.5x7.3x3.1in	Box Weight	262g / 9.24oz
Color	Black mount plate, white and black visor	Box Includes	Polycarbonate visor, steel mount plate, mounting fasteners



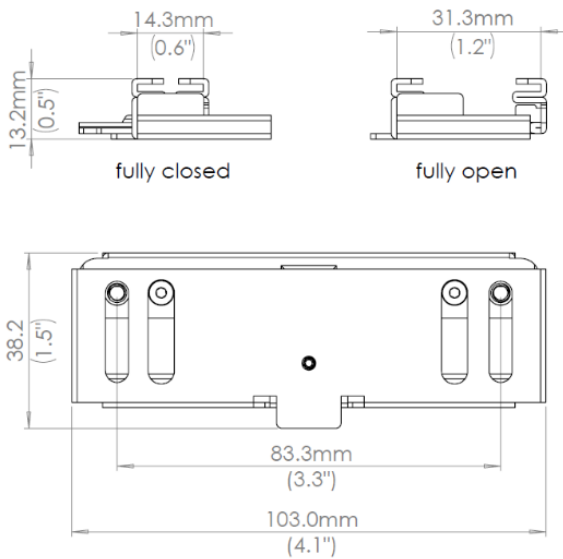
ACC-MNT-CLIP-1 Tile Clip Mount

For mounting indoor Dome, Mini and Fisheye cameras to commercial ceiling tile rails from 9/16" to 15/16" wide without the necessity to drill. Customers may still wish to drill a hole to properly conceal the cable.

Compatible with

Cameras: Indoor Dome Series, Mini Series, and Fisheye Series

Mounts: N/A



Tech Specs

Model Number	ACC-MNT-CLIP-1	Weight	120g / 4.2oz
Material	Steel Mounting Bracket	Box Dimensions	150x140x50mm / 5.9x5.5x2.0in
Dimensions	103x41x13mm / 4.1x1.6x0.5in	Box Weight	230g / 8.1oz
Color	Black Mounting Bracket	Box Includes	Black Mounting Bracket, Allen Hex, 4x M3 Machine Screws, 2x M4 Machine Screws



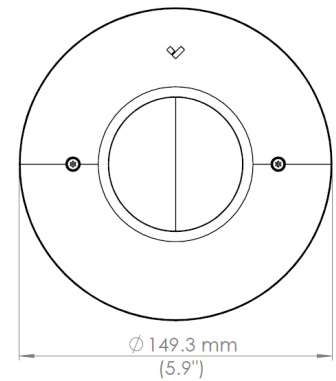
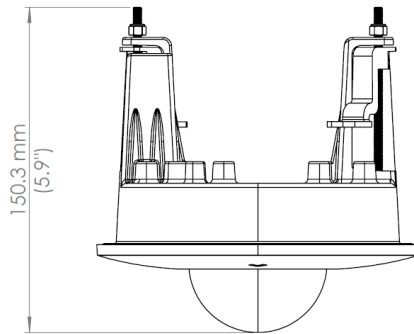
ACC-MNT-MREC-1 Mini Recessed Ceiling Mount

For mounting Mini Dome cameras flush in ceilings up to 50mm thick.

Compatible with

Cameras: CM42, CM22

Mounts: N/A



Tech Specs

Model Number	ACC-MNT-MREC-1	Weight	413g / 14.6oz
Material	Aluminum mounting bracket, polycarbonate shroud	Box Dimensions	151x151x170mm / 5.9inx5.9inx6.7in
Dimensions	149x149x150mm / 5.9x5.9x5.9in	Box Weight	557g / 19.7oz
Color	Black mounting bracket, white shroud	Box Includes	Ceiling mount cover, mounting bracket, hole cutout template



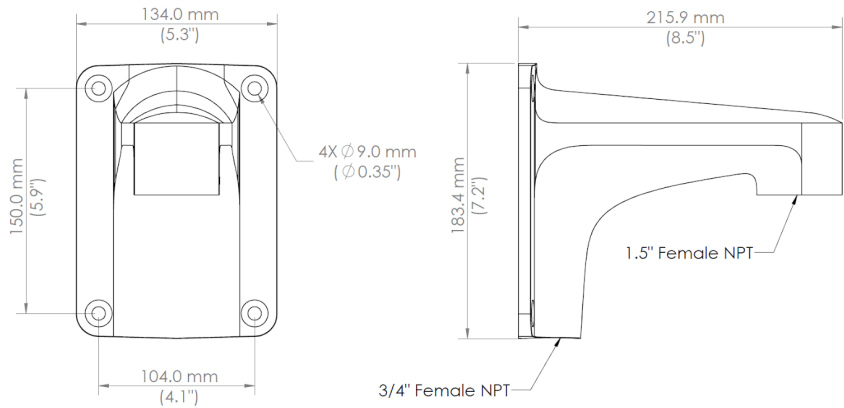
ACC-MNT-XLARM-1 Large Arm Mount

Wall mount arm for larger cameras. Includes 1.5" NPT to connect to pendant caps and 3/4" NPT at the base for conduit.

Compatible with

Cameras: PTZ Series

Mounts: ACC-MNT-POLE-1, ACC-MNT-CORNER-1, ACC-MNT-PEND-1, ACC-MNT-UPEND-1



Tech Specs

Model Number	ACC-MNT-XLARM-1	Weight	800g / 28.2oz
Material	Aluminum alloy	Box Dimensions	247x186x141mm / 10.1x7.3x5.6in
Dimensions	215.8x183.4x134mm / 8.5x7.2x5.4in	Box Weight	1150g / 40.6oz
Color	White	Box Includes	Arm mount, 4x sleeve anchors, 4x machine screws, 2x hex keys



ACC-MNT-CORNER-1

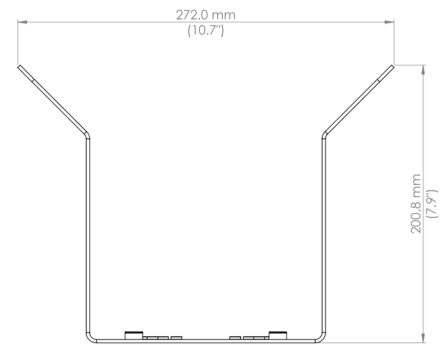
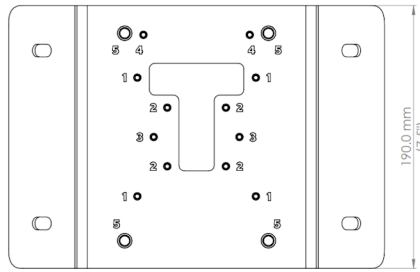
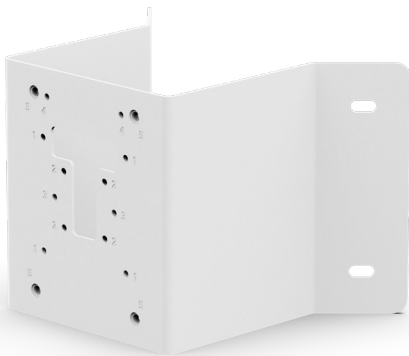
Corner Mount

Mount for installing cameras and accessories to external corners.

Compatible with

Cameras: Dome Series, Bullet Series, Mini Series, PTZ Series, Multisensor Camera with additional mounts

Mounts: ACC-MNT-ARM-1, ACC-MNT-SJBOX-1, ACC-CAM-SHIELD-1, ACC-MNT-XLARM-1, ACC-MNT-ANGLE-1, ACC-MNT-CJBOX-1



Tech Specs

Model Number	ACC-MNT-CORNER-1	Weight	2150g / 75.8oz
Material	Steel	Box Dimensions	347x272x240mm / 13.7x10.7x9.4in
Dimensions	272x201x190mm / 10.7x 7.9x7.5in	Box Weight	3000g / 105.8oz
Color	White	Box Includes	Corner mount, 4x machine screws, 4x sleeve anchors



ACC-MNT-POLE-1

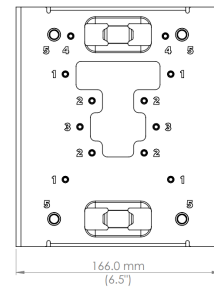
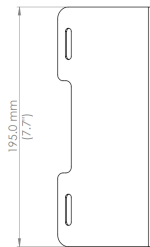
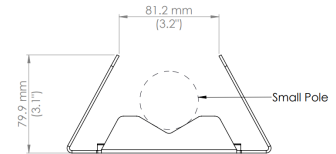
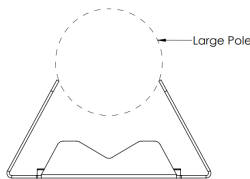
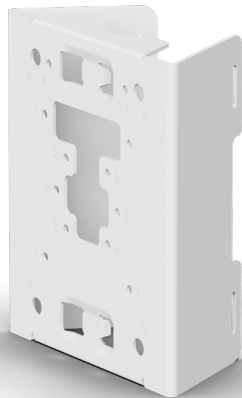
Pole Mount

For mounting cameras to circular poles 2" to 6" in diameter.

Compatible with

Cameras: Dome Series, Fisheye Camera, Bullet Series, Mini Series, PTZ Series, Multisensor Camera with additional mounts

Mounts: ACC-MNT-ARM-1, ACC-MNT-SJBOX-1, ACC-CAM-SHIELD-1, ACC-MNT-XLARM-1, ACC-MNT-ANGLE-1, ACC-MNT-CJBOX-1



Tech Specs

Model Number	ACC-MNT-POLE-1	Weight	1004g / 35.4oz
Material	Steel	Box Dimensions	216x184x91mm / 8.5x7.2x3.6in
Dimensions	166x80x195mm / 6.5x3.1x7.7in	Box Weight	1600g / 56.4oz
Color	White	Box Includes	Pole mount, 4x pole straps (2x small, 2x large), 4x machine screws, zip tie



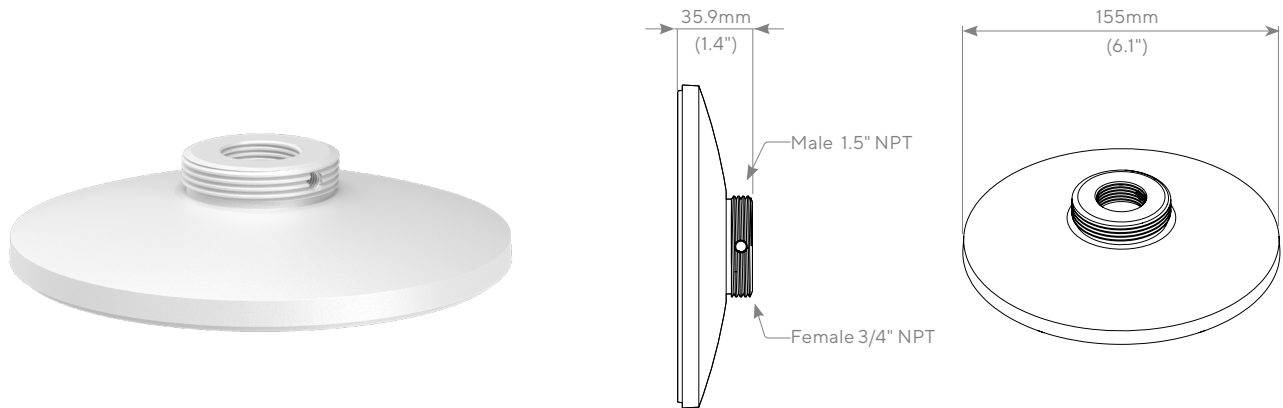
ACC-MNT-PEND-1 Pendant Cap Mount

Threaded cap features built in 3/4" female NPT and 1.5" male NPT threads.

Compatible with

Cameras: Dome Series, Fisheye Series, CH52-E

Mounts: ACC-MNT-ARM-1, ACC-MNT-XLARM-1



Tech Specs

Model Number	ACC-MNT-PEND-1	Weight	284g / 10.0oz
Material	Aluminum alloy	Box Dimensions	159x159x69mm / 6.3x6.3x2.7in
Dimensions	155x155x36mm / 6.1x6.1x1.4in	Box Weight	355g / 12.5oz
Color	White	Box Includes	Mount cap, set screw, 2x thumbscrews, 3x machine screws



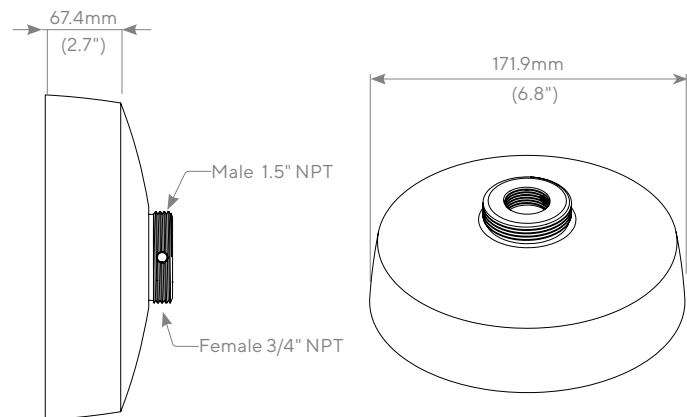
ACC-MNT-UPEND-1 Umbrella Pendant Cap Mount

Threaded cap features built in 3/4" female NPT and 1.5" male NPT thread with extra protection from weathering.

Compatible with

Cameras: Dome Series, Fisheye Series

Mounts: ACC-MNT-ARM-1, ACC-MNT-XLARM-1



Tech Specs

Model Number	ACC-MNT-UPEND-1	Weight	470g / 16.6oz
Material	Aluminum alloy	Box Dimensions	174x174x80mm / 6.9x6.9x3.1in
Dimensions	172x172x67mm / 6.8x6.8x2.7in	Box Weight	560g / 19.8oz
Color	White	Box Includes	Mount cap, set screw, 2x thumbscrews



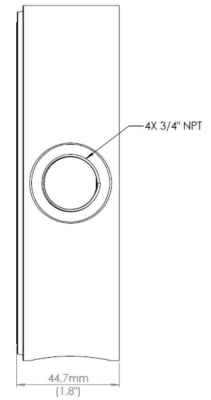
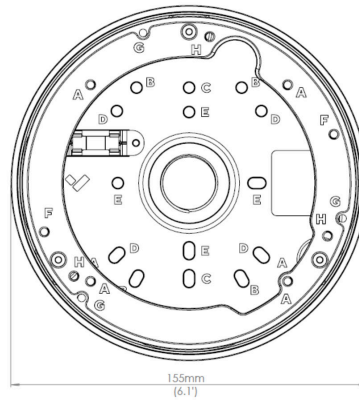
ACC-MNT-CJBOX-1 Circle Junction Box Mount

Junction box for mounting Dome and Fisheye cameras.

Compatible with

Cameras: Dome Series, Fisheye Series

Mounts: ACC-MNT-CORNER-1, ACC-MNT-POLE-1



Tech Specs

Model Number	ACC-MNT-CJBOX-1	Weight	532g / 18.8oz
Material	Aluminum alloy	Box Dimensions	160x160x75mm / 6.3x6.3x3.0in
Dimensions	155x155x45mm / 6.1x6.1x1.8in	Box Weight	623g / 22.0oz
Color	White	Box Includes	Junction box, 3x 3/4" NPT plugs, 2x thumbscrews, 4x wood screws, 4x wall anchors



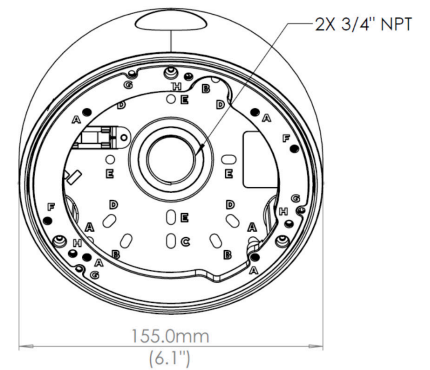
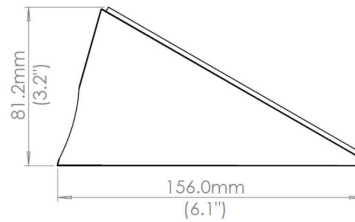
ACC-MNT-ANGLE-1 Angle Mount

Mounts Fisheye and Dome cameras 30 degrees from wall for improved field of view.

Compatible with

Cameras: Dome Series, Fisheye Series

Mounts: ACC-MNT-CORNER-1, ACC-MNT-POLE-1



Tech Specs

Model Number	ACC-MNT-ANGLE-1	Weight	553g / 19.5oz
Material	Aluminum alloy	Box Dimensions	158x158x93mm / 6.3x6.3x3.7in
Dimensions	156x156x81mm / 6.1x6.1x3.2in	Box Weight	605g / 21.3oz
Color	White	Box Includes	Junction box, 1x 3/4" NPT plugs, 2x thumbscrews, 4x wood screws, 4x wall anchors



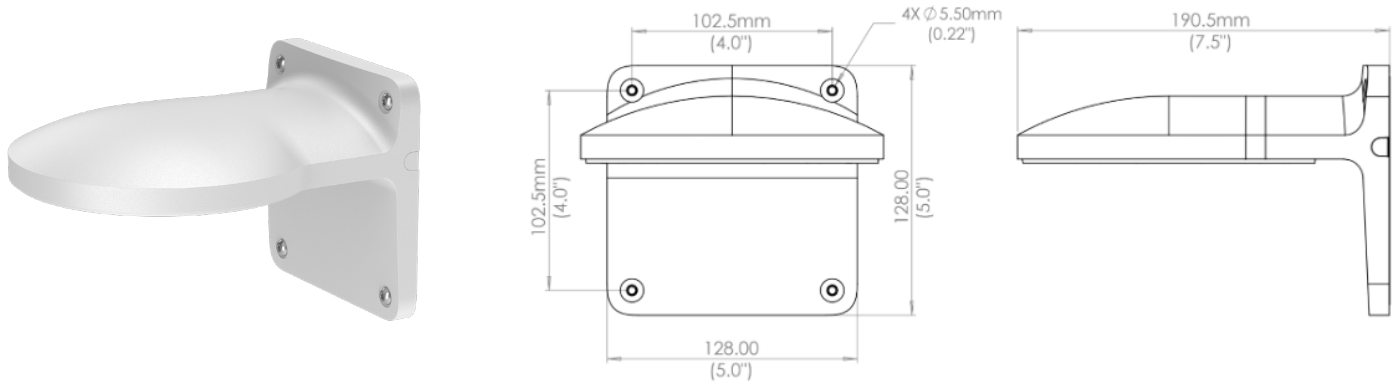
ACC-MNT-LBRAC-1 L-Bracket Mount

Compact bracket for mounting a camera perpendicular to a wall.

Compatible with

Cameras: Dome Series

Mounts: ACC-MNT-CORNER-1, ACC-MNT-POLE-1, ACC-MNT-SJBOX-1



Tech Specs

Model Number	ACC-MNT-LBRAC-1	Weight	800g / 28.2oz
Material	Aluminum alloy	Box Dimensions	225x188x168mm / 8.9x7.4x6.6in
Dimensions	128x128x190.5mm / 5.0x5.0x7.5in	Box Weight	1100g / 38.8oz
Color	White	Box Includes	L-shaped mount, adaptor plate, 2x thumbscrews, 2x mousehole covers, 4x wood screws, 4x wall anchors, allen hex



ACC-MNT-REC-2

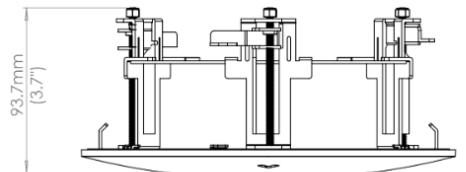
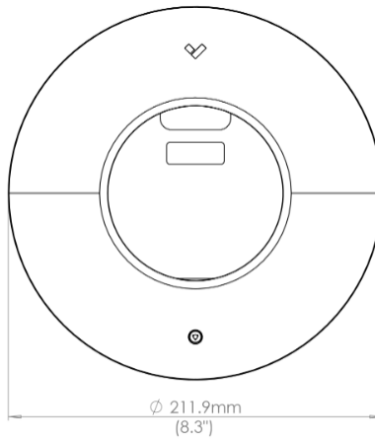
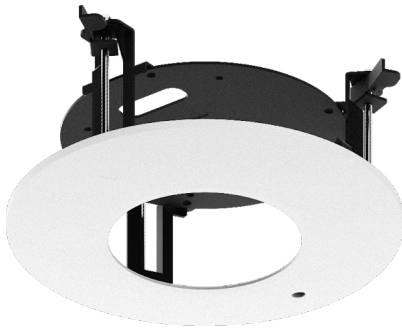
Recessed Ceiling Mount

For mounting indoor dome cameras flush in ceilings up to 50mm thick.

Compatible with

Cameras: Dome cameras (Indoor Series)

Mounts: N/A



Tech Specs

Model Number	ACC-MNT-REC-2	Weight	628g / 22.2oz
Material	Steel mount bracket, polycarbonate cover	Box Dimensions	230x215x100mm / 9.1x8.5x 3.9in
Dimensions	211.9x211.9x93.76mm / 8.3x8.3x3.7in	Box Weight	790g / 27.9oz
Color	Black mount plate, white cover	Box Includes	Ceiling mount cover, mounting bracket, 4x machine screws, hole cutout template



ACC-MNT-YJBOX-1

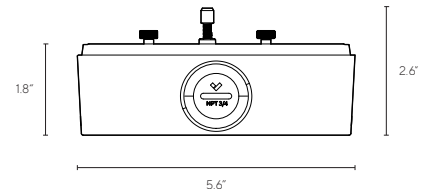
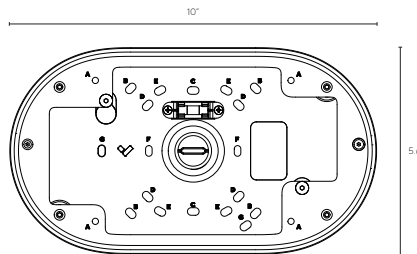
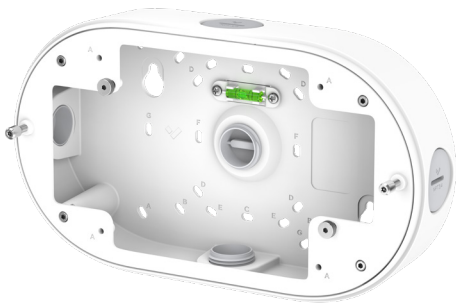
Two-Camera Multisensor Junction Box Mount

Junction box for mounting the CY53-E Two-Camera Multisensor.

Compatible with

Cameras: Two-Camera Multisensor

Mounts: ACC-MNT-CORNER-1, ACC-MNT-POLE-1



Tech Specs

Model Number	ACC-MNT-YJBOX-1	Weight	770g / 27.2oz
Material	Aluminum	Box Dimensions	289x159x70mm / 11.4x6.3x2.8in
Dimensions	254x142x66mm / 10.0x5.6x2.6in	Box Weight	1070g / 37.7oz
Color	White	Box Includes	Junction box, 5x 3/4" NPT plugs, 2x thumbscrews



ACC-MNT-YPEND-1

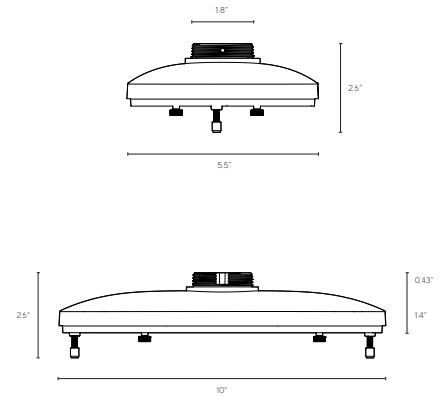
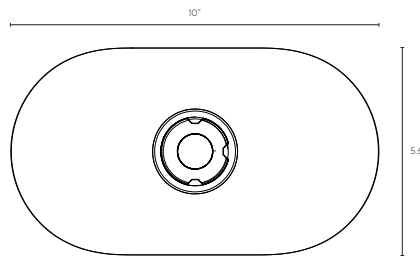
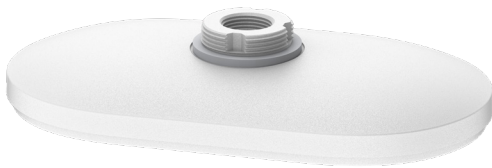
Two-Camera Multisensor Pendant Cap Mount

Threaded cap features built in 3/4" female NPT and 1.5" male NPT threads.

Compatible with

Cameras: Two-Camera Multisensor

Mounts: ACC-MNT-ARM-1, ACC-MNT-XLARM-1



Tech Specs

Model Number	ACC-MNT-YPEND-1	Weight	520g / 18.3oz
Material	Aluminum	Box Dimensions	289x159x70mm / 11.4x6.3x2.8in
Dimensions	254x140x66mm / 10.0x5.5x2.6in	Box Weight	820g / 28.9oz
Color	White	Box Includes	Mount cap, leash, 2x thumbscrews, set screw, compression ring



ACC-MNT-HPEND-1

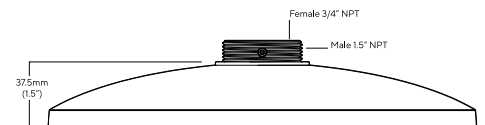
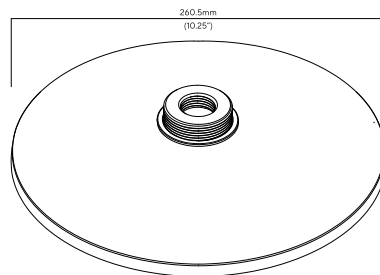
Four-Camera Multisensor Pendant Cap Mount

Threaded cap features built in 3/4" female NPT and 1.5" male NPT threads. Compatible with the CH53-E and CH63-E only.

Compatible with

Cameras: CH53-E, CH63-E

Mounts: ACC-MNT-ARM-1, ACC-MNT-XLARM-1



Tech Specs

Model Number	ACC-MNT-HPEND-1	Weight	528g / 18.6oz
Material	Aluminum	Box Dimensions	281x270x62mm / 11.1x10.6x2.4in
Dimensions	Ø262x53mm / Ø10.3x2.1in	Box Weight	716g / 25.3oz
Color	White	Box Includes	Pendant cap, compression ring, set screw, 4x M4x0.7 screws



ACC-MNT-HREC-1

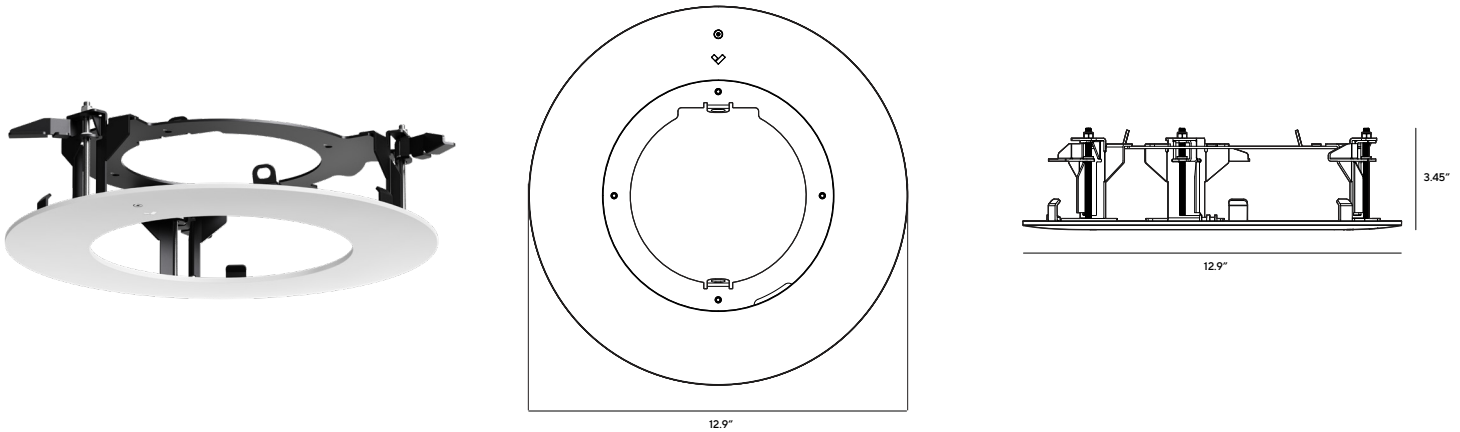
Four-Camera Multisensor Recessed Ceiling Mount

Mount for installing four-camera multisensors flush in ceilings up to 50mm thick to achieve a more discreet, minimalist look. Ceiling material must be able to support at least 7kg / 16lb of weight.

Compatible with

Cameras: CH53-E, CH63-E

Mounts: N/A



Tech Specs

Model Number	ACC-MNT-HREC-1	Weight	1200g / 42.3oz
Material	Plastic, Steel	Box Dimensions	350x335x98mm / 13.8x13.19x3.86in
Dimensions	Ø327.2x87.5mm / Ø12.9x3.4in	Box Weight	1400g / 49.4oz
Color	White	Box Includes	Ceiling mount cover, mounting bracket, 4x machine screws, hole cutout template, safety leash, T10 L-key



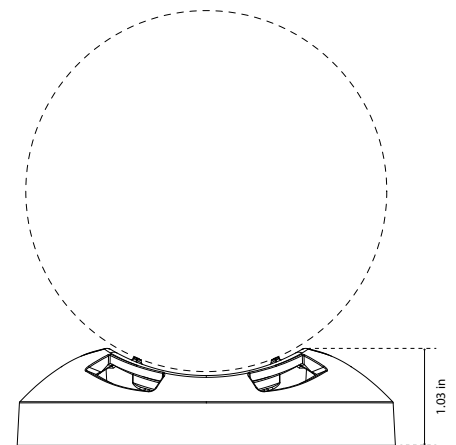
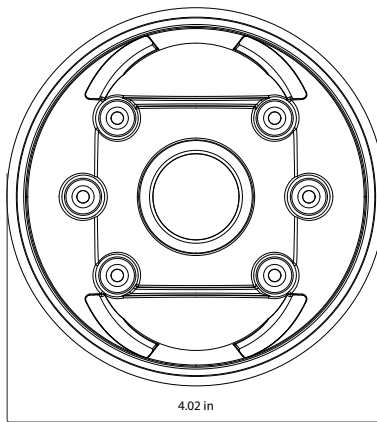
ACC-CAM-MNT-CBPOLE-1 Bullet Camera Pole Mount

Mount bullet cameras directly to poles 2" to 6" in diameter.

Compatible with

Cameras: CB53-E, CB63-E, CB53-TE, CB63-TE

Mounts: N/A



Tech Specs

Model Number	ACC-CAM-MNT-CBPOLE-1	Weight	125g / 4.41oz
Material	Aluminum	Box Dimensions	L: 162.0mm / 6.38in W: 149.0mm / 5.87in H: 50.0mm / 1.97in
Dimensions	Ø: 102.2mm / 4.02in, L: 26.0mm / 1.02in	Box Weight	360g / 12.70oz
Color	White	Box Includes	Mount, 4x M4 machine screws, small pole straps, large pole straps



ACC-CAM-CB-VSR-1

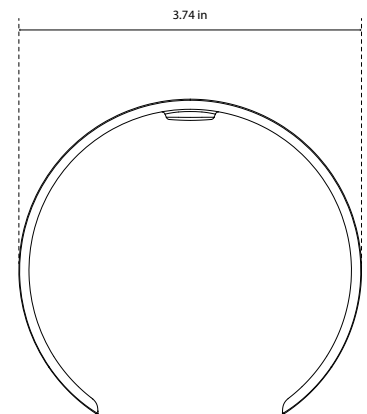
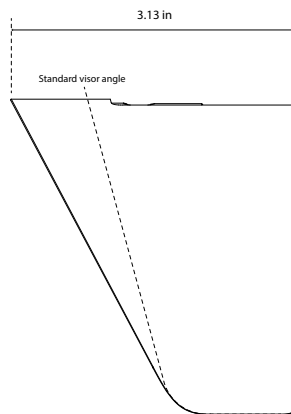
Bullet Camera Extended Visor

Longer visor replaces the built-in visor on 3rd generation bullet cameras to provide additional protection from precipitation and sun glare. Recommended for use with telephoto models only. Can be attached to wide-angle models, but will limit the camera's field of view at lower optical zoom levels.

Compatible with

Cameras: CB53-TE, CB63-TE

Mounts: N/A



Tech Specs

Model Number	ACC-CAM-CB-VSR-1	Weight	35g / 1.23oz
Material	Plastic	Box Dimensions	L: 134.0mm / 5.28in W: 148.0mm / 5.83in H: 88.0mm / 3.46in
Dimensions	Ø: 95.0mm / 3.74in, L: 80.0mm / 3.15in	Box Weight	360g / 12.70oz
Color	Black	Box Includes	Visor, T10 security Torx screwdriver, 1x spare M3 machine screw