

New Rapid Dome Cameras from Sony - High Visibility, Feature Rich, and a Choice of Models

Sony introduces its new rapid dome cameras, the SNC-RS Series, supporting H.264, MPEG-4, and JPEG compression formats.

This newly developed line of high speed 360 degree pan/tilt/zoom cameras offers a 210 degree tilt range to cover above the horizon viewing applications. Additional features include excellent dual streaming capabilities in H.264/MPEG4; H.264/JPEG and H.264/MPEG4 @ up to 30 fps in 768 x 576 resolution, CF slot for 802.11g wireless (optional SNCA-CFW5) or additional on board memory. Newly developed image processing technologies like XDNR for noise reduction, Visibility Enhancer (VE) enables the camera to be used in a wide variety of applications.

With new features and excellent performance, the SNC-RS Series is the perfect choice for a variety of applications.




SNC-RS44N/RS44P
SNC-RS46N/RS46P



SNC-RS84N/RS84P
SNC-RS86N/RS86P

FEATURES

- 18x, 36x Zoom
- XDNR (Excellent Dynamic Noise Reduction)
- Visibility Enhancer
- DEPA™ Advanced 
- 210° Tilt
- Quick Release for Easy Installation
- hPoE (Compliant With IEEE802.3at*1)
- Triple Codec: H.264/MPEG-4/JPEG
- ONVIF Compliant 

*1 Tentative

210° Tilt

The cameras cover a wide monitoring area with great efficiency.



Quick Release

The camera can be detached quickly and easily.



Indoor model

Press Release Button and pull



Outdoor model

Remove Top Sunshade, Rotate Main Unit and pull (Need to remove Locking screws)

Visibility Enhancer

To suppress the extreme whites in a scene, and boost dark areas in a scene at the same time dynamically to produce clear images on the monitor. (Images simulated)




OFF

ON

SNC-RS Series

Network Rapid Dome Cameras

SNC-RS44N/RS44P, SNC-RS46N/RS46P,
SNC-RS84N/84P, SNC-RS86N/RS86P

 sony.com/security

Preliminary

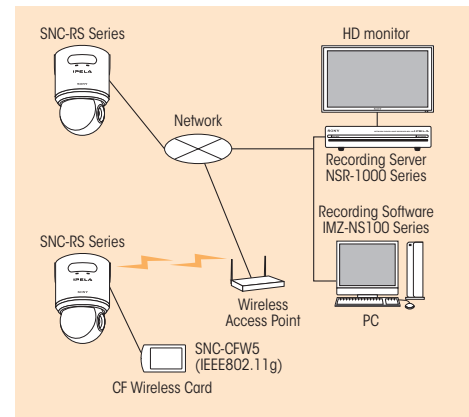
IPELA™

SPECIFICATIONS

	SNC-RS46N/RS86N (x36)	SNC-RS46P/RS86P (x36)	SNC-RS44N/RS84N (X18)	SNC-RS44P/RS84P (X18)
Camera				
Image device	1/4-type CCD with Exwave HAD® technology			
Day/Night *1	Yes			
Wide-D *2	Yes			
Number of effective pixels (H x V)	380,000 (768 x 494)	440,000 (752 x 582)	380,000 (768 x 494)	440,000 (752 x 582)
Electronic shutter speed	1 to 1/10,000 s			
Auto gain control	Auto/Manual (-3 to +28 dB)			
Exposure control	Auto, Full auto, Shutter-priority, Iris-priority, Manual, EV compensation, Backlight compensation			
White balance mode	Auto, Indoor, Outdoor, One-push WB, ATW, Manual			
Lens type	Auto-focus zoom lens			
Zoom ratio	36x		18x	
Horizontal viewing angle	1.7 to 57.8 degrees		2.8 to 48.0 degrees	
Focal length	f=3.4 to 122.4 mm		f=4.1 to 73.8 mm	
F-number	F1.6 (wide), F4.5 (tele)		F1.4 (wide), F3.0 (tele)	
Pan angle	360 degrees endless rotation			
Pan speed	400 degrees/s (max.)			
Tilt angle	210 degrees (with e-flip)			
Tilt speed	400 degrees/s (max.)			
Image				
Codec image size (H x V)	720 x 480, 640 x 480, 320 x 240, (H.264, MPEG-4, JPEG) (Tentative)	720 x 576, 640 x 480, 320 x 240, (H.264, MPEG-4, JPEG) (Tentative)	720 x 480, 640 x 480, 320 x 240, (H.264, MPEG-4, JPEG) (Tentative)	720 x 576, 640 x 480, 320 x 240, (H.264, MPEG-4, JPEG) (Tentative)
Video compression format	H.264, MPEG-4, JPEG			
Maximum frame rate	H264/MPEG-4/JPEG: 30 fps (720 x 480)	H264/MPEG-4/JPEG: 25 fps (720 x 576)	H264/MPEG-4/JPEG: 30 fps (720 x 480)	H264/MPEG-4/JPEG: 25 fps (720 x 576)
Audio				
Audio compression	G.711/G.726			
Scene analytics				
Simple activity detection	No			
Intelligent motion detection	Yes (with built in Post Filter)			
Intelligent object detection	No			
Network				
Protocols	TCP/IP, ARP, ICMP, HTTP, FTP (client/server), SMTP, DHCP, DNS, NTP, RTP/RTCP, SNMP (MIB-2) (Tentative)			
Wireless network	Yes (With Optional *3)			
Number of clients	10 (Tentative)			
Authentication	IEEE802.1X			
Analog video output				
Signal system	NTSC	PAL	NTSC	PAL
Horizontal resolution	530 TV lines			
S/N ratio	more than 50 dB			
Interface				
Ethernet	10BASE-T/100BASE-TX (RJ-45)			
Serial interface	RS-232C/RS-422 (PELCO D protocol) (Tentative)			
Card slots	CF card x1			
Analog video output	Composite video (1Vp-p)			
Sensor input	x 4			
Alarm output	x 2			
External microphone input	Mini-jack (Monaural), MIC IN/LINE IN: 2.2k ohm, 2.45VDC plug-in power			
Audio line output	Mini-jack (Monaural), Max output level: 1 Vrms			
General				
Weight	Indoor Model: Approx. 4 lb 10 oz (2.1 kg) Outdoor Model: Approx. 9 lb 15 oz (4.5 kg)			
Dimensions (ø x H)	Indoor : 6 1/8 x 9 inches (154 x 226 mm) Outdoor : 9 3/8 x 13 5/8 inches (238 x 346 mm)			
Power requirements	Indoor: hPoE (Tentative), AC24V, DC12V Outdoor: AC24V			
Power consumption	Indoor: 25 W max. Outdoor: 80 W max. (Tentative)			
Operating temperature	Indoor : 32 to 122 °F (0 to 50 °C) Outdoor : -40 to 122 °F (-40 to 50 °C)			
Storage temperature	-4 to 140 °F (-20 to 60 °C)			
System requirements				
Operating system	Windows® XP, Windows Vista®			
Processor	CPU: Pentium4® 3GHz, Intel Core2 Duo™ 2GHz or higher			
Memory	1GB or more (Tentative)			
Web browser	Microsoft Internet Explorer Ver6.0 or higher			
Supplied accessories				
	SNC-RS44N/RS44P, SNC-RS46N/RS46P: Base unit, Mounting bracket, Screws, Cables (Power input, BNC, I/O, Serial), Installation manual, CD-ROM (User's guide, SNC toolbox), Mounting template, Wire rope			
	SNC-RS84N/RS84P, SNC-RS86N/RS86P: Base unit, Top sunshade, Rotate-and-lock coupling, Waterproof plug, Screws, Installation manual, CD-ROM (User's guide, SNC toolbox), Wire rope			

*1 Removable IR Cut Filter. *2 DynaView™ Technology. *3 With optional SNCA-CF5.

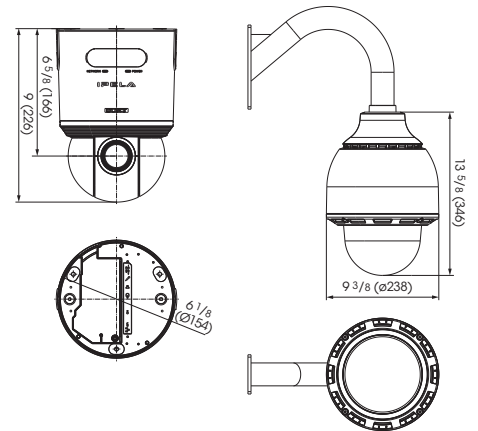
SYSTEM CONFIGURATIONS



DIMENSIONS

SNC-RS44N/RS44P
SNC-RS46N/RS46P

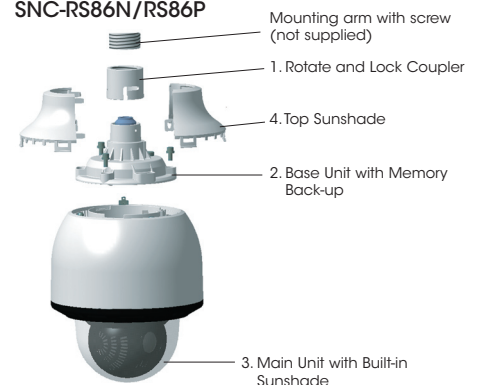
SNC-RS84N/RS84P
SNC-RS86N/RS86P



CONFIGURATION

SNC-RS84N/RS84P
SNC-RS86N/RS86P

Unit: inches (mm)



Install in indicated numerical order

SONY

Sony Electronics Inc.
1 Sony Drive
Park Ridge, NJ 07656
click: sony.com/security

S-IP2041 (MK10585V2)

© 2009 Sony Electronics Inc. All rights reserved.
Reproduction in whole or in part without written permissions is prohibited.
Features and specifications are subject to change without notice.
All non-metric weights and measurements are approximate.
Sony, IPELA and DEPA are trademark of Sony.
Windows XP and Vista are trademarks of Microsoft Corporation.
Pentium4 and Core2 Duo are trademarks of Intel Corporation.

Printed in USA (3/09)