



WV



High Resolution!
High Durability!
12X Zoom!



12x High Resolution Vandal-Resistant Dome Camera

SCV-2120

- Clear horizontal resolution of 580TV lines (Ultra low light levels of 0.2Lux)
- Vandal resistant and weatherproof to IP66
- 12x optical zoom and powerful W-V DSP chipset features



07-2010

www.samsungsecurity.com

12x High Resolution Vandal-Resistant Dome Camera

SCV-2120

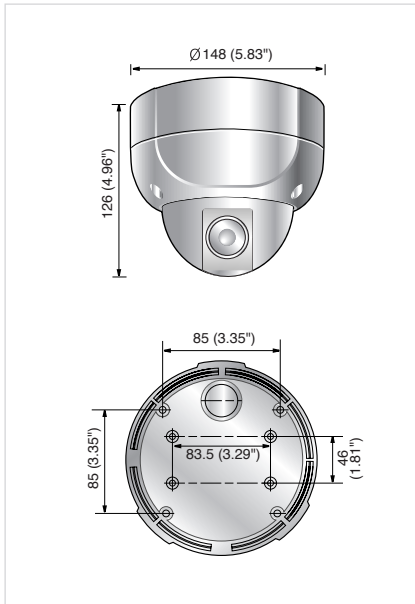


Specifications

| | SCV-2120N (NTSC) | SCV-2120P (PAL) |
|----------------------------------|---|---|
| ELECTRICAL | | |
| Input Voltage | Dual (12V DC/ 24V AC) | |
| Power Consumption | Max. 4W | |
| VIDEO | | |
| Imaging Device | 1/4" Super HAD CCD | |
| Total Pixels | 811(H) x 508(V) | 795(H) x 596(V) |
| Effective Pixels | 768(H) x 494(V) | 752(H) x 582(V) |
| Scanning System | 2 : 1 Interlace | |
| Synchronization | Internal / Line lock | |
| Frequency | H : 15.734KHz / V : 59.94Hz | H : 15.625KHz / V : 50Hz |
| Horizontal Resolution | Color : 580TV lines (Min.) / B/W : 700TV lines (Min.) | |
| Min. Illumination | Color : 0.2Lux (50IRE@F1.6), 0.0004Lux (Sens-up, 512x) B/W : 0.004Lux (50IRE@F1.6) | |
| S / N (Y signal) | 52dB | |
| Video Output | CVBS : 1.0Vp-p / 75Ω | |
| LENS | | |
| Zoom Ratio | 12x (Optical), 16x (Digital) | |
| Focal Length | 3.94 ~ 46.05mm (F1.67 ~ 1.88) | |
| Max. Aperture Ratio | 1 : 1.67(Wide) ~ 1.88(Tele) | |
| Min. Object Distance | 1.8m (5.91ft) | |
| Angular Field of View | H : 51.54°(Wide) ~ 4.49°(Tele) / V : 39.28°(Wide) ~ 3.39°(Tele) | |
| Focus | Auto / Manual / One-push | |
| Iris Control | Auto / Manual | |
| PAN / TILT / ROTATE | | |
| Pan Range | 0° ~ 340° | |
| Tilt Range | 0° ~ 146° | |
| Rotate Range | 0° ~ 340° | |
| OPERATIONAL | | |
| On Screen Display | Korean, English, Japanese, Spanish, French, Portuguese, Taiwanese | English, French, German, Spanish, Italian, Chinese, Russian, Polish, Czech, Romanian, Serbian, Swedish, Danish, Turkish, Portuguese |
| Camera Title | On / Off (Displayed 15 characters) | |
| Day & Night | Auto (ICR) / Color / B/W | |
| SSDR | On / Off (Level adjustable) | |
| Backlight Compensation | BLC / HLC / Off | |
| Motion Detection | On / Off (8 Programmable zones) | |
| Digital Image Stabilization | On / Off | |
| Privacy Masking | On / Off (12 Programmable zones) | |
| 2D+3D Noise Filter (SSNR III) | On / Off (Level adjustable) | |
| Sens-up (Frame Integration) | Auto / Off (Selectable 2x ~ 512x) | |
| Gain Control | Low / High / Off | |
| White Balance | AWC / Manual / Indoor / Outdoor / ATW (1,700°K ~ 11,000°K) | |
| Electronic Shutter Speed | Fixed (1/60 / Flickerless) | Fixed (1/50 / Flickerless) |
| Flip / Mirror | On / Off | |
| Communication | Coaxial (Protocol : Pelco Coaxitron), RS-485 | |
| ENVIRONMENTAL | | |
| Operating Temperature / Humidity | -10°C ~ +50°C (+14°F ~ +122°F) / 20% ~ 80% RH | |
| Storage Temperature / Humidity | -20°C ~ +60°C (-4°F ~ +140°F) / 20% ~ 95% RH | |
| MECHANICAL | | |
| Dimension (WxH) | Ø148 x 126mm (Ø5.83" x 4.96") | |
| Weight | 1.38Kg (3.04 lb) | |
| Ingress Protection | IP66 | |
| Certifications | FCC (Class A), UL/cUL listed | CE (Class A), UL/cUL listed |

Dimensions

Unit : mm (inch)



The Eco mark represents Samsung Techwin's will to create environment-friendly products, and indicates that the product satisfies the EU RoHS Directive.

Accessories (Optional)



Design and specifications are subject to change without notice.



SAMSUNG TECHWIN CO., LTD.
701, Sampyeong-dong, Bundang-gu, Seongnam-si, Gyeonggi-do Korea 463-400
Tel : +82-70-7147-8741 ~ 8749, 8752-8760 Fax : +82-31-8018-3745
www.samsungsecurity.com www.samsungcctv.com

SAMSUNG TECHWIN AMERICA INC.
1480 Charles Willard St, Carson, CA 90746, UNITED STATES
Tel Free : +1-877-213-1222 Fax : +1-310-632-2195
www.samsungcctvusa.com

SAMSUNG TECHWIN EUROPE LTD.
Samsung House, 1000 Hillwood Drive, Hillwood Business Park
Chertsey, Surrey, UNITED KINGDOM KT16 0PS
Tel : +44-1932-45-5300 Fax : +44-1932-45-5325

TIANJIN SAMSUNG TECHWIN OPTO-ELECTRONICS CO., LTD.
No.11 Wei 6 Street, Micro-Electronic Industrial Park
Jingang Road, Tianjin, P.R. CHINA 300385
Tel : +86-22-23887788 Fax : +86-22-23887788

■ DISTRIBUTED BY

