

Stronger than ever, high durability vandal-resistant



High Resolution Vandal-Resistant Dome Camera

SCV-2081

Equipped with the high performance W-V DSP chipset from Samsung Techwin, the SCV- 2081 high resolution vandal dome camera provides a horizontal resolution of 600TV lines to deliver exceptional image quality. With a low light performance level of 0.15Lux, it displays noise-free images in the darkest of conditions and the extra-sturdy aluminum chassis provides unparalleled durability. Featuring a built-in 3.6X varifocal lens (2.8 ~ 10mm) the SCV-2081 benefits from the ability to set the perfect field of view in any installation environment. This camera features enhanced user-friendly options including a multi language OSD, coaxial control compatibility, Samsung Super Dynamic Range (SSDR) and third generation Samsung Super Noise Reduction (SSNRIII).

- High resolution of 600TV lines, 700TV lines (B/W)
- Min.illumination 0.15Lux@F1.2 (Color), 0.001Lux (B/W)
- 3.6x V/F lens (2.8 ~ 10mm), true Day&Night (ICR), MD, SSNRIII
- IP66, coax : Pelco-C , dual power

High Resolution Vandal-Resistant Dome Camera

SCV-2081

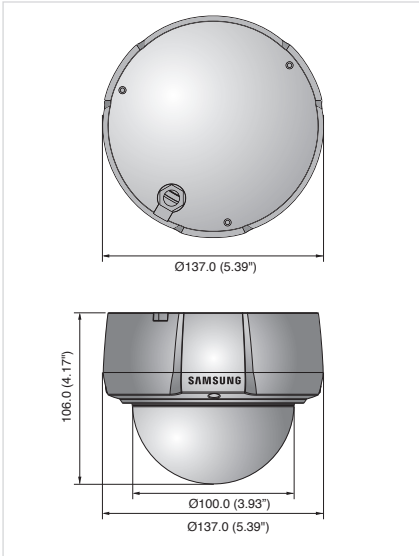


Specifications

	SCV-2081N	SCV-2081P
VIDEO		
Imaging Device	1/3" Super HAD CCDII	
Total Pixels	811(H) x 508(V)	795(H) x 596(V)
Effective Pixels	768(H) x 494(V)	752(H) x 582(V)
Scanning System	2 : 1 Interlace	
Synchronization	Internal / Line Lock	
Frequency	H : 15.734KHz / V : 59.94Hz	H : 15.625KHz / V : 50Hz
Horizontal Resolution	Color : 600 TV lines, B/W : 700TV lines	
Min. Illumination	Color : 0.15Lux (50IRE@F1.2), 0.0003Lux (Sens-up, x512) B/W : 0.001Lux	
S / N Ratio	52dB (AGC off, Weight on)	
Video Output	CVBS : 1.0 Vp-p / 75Ω composite	
LENS TYPE		
Focal Length (Zoom Ratio)	2.8 ~ 10mm (3.6x)	
Max. Aperture Ratio	1 : 1.2(Wide) ~ 2.8(Tele)	
Angular Field of View	H : 94.4°(Wide) ~ 28°(Tele) / V : 69.2°(Wide) ~ 21°(Tele)	
Lens Type	DC Auto Iris	
Mount Type	Board Type	
PAN / TILT		
Pan Range	0° ~ 352°	
Tilt Range	0° ~ 73°	
Rotate Range	0° ~ 348°	
OPERATIONAL		
On Screen Display	English, Japanese, Spanish, French, Portuguese, Taiwanese, Korean	English, French, German, Spanish, Italian, Chinese, Russian, Polish, Czech, Romanian, Serbian, Swedish, Danish, Turkish, Portuguese
Camera Title	Off / On (Displayed 15 characters)	
Day & Night	Auto (ICR) / Color / B/W	
Backlight Compensation	BLC / HLC / Off	
Contrast Enhancement	SSDR (Off / On)	
Digital Noise Reduction	SSNRIII (Off / On)	
Digital Image Stabilization	Off / On	
Motion Detection	Off / On (8 programmable zones)	
Privacy Masking	Off / On (12 programmable zones)	
Sens-up (Frame Integration)	2x ~ 512x	
Gain Control	Off / Low / High	
White Balance	ATW / Outdoor / Indoor / Manual / AWC (1,700K° ~ 11,000K°)	
Electronic Shutter Speed	1/60 ~ 1/120,000 sec	1/50 ~ 1/120,000 sec
Digital Zoom	Off / On (1x ~ 16x)	
Reverse	H-Rev (Off / On), V-Rev (Off / On)	
Communication	Coaxial Control (SPC-300 Compatible)	
Protocol	Coax : Pelco-C (Coaxitron)	
ENVIRONMENTAL		
Operating Temperature / Humidity	-10°C ~ +50°C (+14°F ~ +122°F) / up to 100%	
Ingress Protection	IP66	
ELECTRICAL		
Input Voltage	Dual (24VAC±10% & 12VDC±10%)	
Power Consumption	Max. 3.5W	
MECHANICAL		
Color / Material	Body : Ivory, ALDC12, Dome Cover : PC	
Dimension (WxH)	Ø137.0 x 106.0mm (5.39" x 4.17")	
Weight	700g (1.54 lb)	

Dimensions

Unit : mm (inch)



Accessories (Optional)



SAMSUNG TECHWIN AMERICA Inc.
 100 Challenger Road, Suite 700, Ridgefield Park, NJ 07660, UNITED STATES
 Toll Free : 1-877-213-1222 Fax : 1-201-373-0124
 www.samsungsecurityusa.com



The Eco mark represents Samsung Techwin's will to create environment-friendly products, and indicates that the product satisfies the EU RoHS Directive.

Design and specifications are subject to change without notice.

■ DISTRIBUTED BY

