

GV-BVF540IR

1/3" DAY/NIGHT, VARIFOCAL, WEATHER RESISTANT, BULLET IR CAMERA



SUMMARY

The GV-BVF540IR varifocal bullet camera with infrared illuminators is the perfect choice for installations where night lighting is very low or does not exist at all. The 36 LEDs provide powerful illumination that have a range of up to 75 feet to light up the night and maintain a clear sharp picture.

The camera comes equipped with a 3.8 ~ 9.5mm varifocal DC auto iris lens and a mounting bracket. The camera can be mounted from its back, top or bottom for the installers convenience.

The externally adjustable variable focal length and focus functions of the camera make the installation more fast and convenient. The camera is IP 66 rated for weather resistance that allows it to be used for both indoor and outdoor applications

FEATURES

- Bullet IR Day/Night Camera
- 1/3" Super HAD Sony CCD
- 540 TV Lines (Color) and 580TV Lines (B/W) Resolution
- Minimum Scene Illumination
 - 0 Lux LED On
 - 0.5 Lux LED Off
- Color & B/W Auto Switchable By Photocell and Sensitivity
- Lens 3.8~9.5mm Varifocal, DC Auto Iris
- Externally Adjustable Focal Length & Focus By Side Screws
- Externally Adjustable DC Iris Level
- 36 IR LED with CDS Photocell Auto Switch
- 55~75ft range effective IR illumination
- Weather Resistant (IP66)
- Back Side, Top and Bottom Side Bracket Mounting
- AC24V/DC12V

ACCESSORIES

RECOMMENDED POWER SUPPLIES

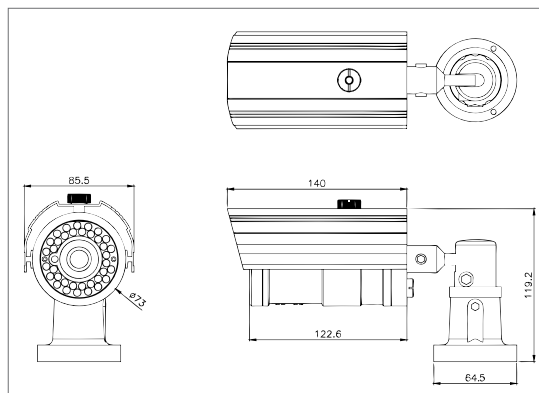
- GV-TRAN-12-500DC, 12VDC, 500 MA, plug in transformer
- GV-M1234, 12VDC, 3amp, 4 fused outputs
- GV-TRAN-24-20LED, 24VAC, 20VA, Class II plug in transformer
- GV-TRAN-24-40LED, 24VAC, 40VA, Class II plug in transformer
- GV-M2448UL, 24VAC, 4 amp, 8 fused outputs
- GV-M24816UL, 24VAC, 8 amp, 16 fused outputs

GV-BVF540IR | TECHNICAL SPECIFICATIONS

Units



Dimensions (unit : mm)



SPECIFICATIONS

Camera Type	Color/BW	Bullet IR Camera
Image	Device	Super HAD Sony CCD
	Size	1/3"
	Pixels – Effective	510 (H) x 492 (V)-380K Pixels
Scanning	System	525 lines, 2:1 Interlace
Min. Scene Illumination	LED On	0.0 Lux
	LED Off	0.5 Lux
	Shutter speed	1/60 sec
Functions	AGC	Built In
	IR	36
	CDS	Photocell Auto Switch
Lens	Size	3.8~9.5mmVarifocal, DC Autolris F1.2
Resolution	Horizontal	540 (Color) TVL/ 580 (B/W) TVL
Video Output	VBS 1.0Vp-p	VBS 1.0Vp-p(75 Ohm Load)
S/N Ratio	S/N Ratio	Greater Than 48dB (AGC off)
Environmental Conditions	Operating Temperature	-10°C ~ +50°C (14°F ~ +122°F)
Power	Power Requirement	12VDC/ AC24V
	Power Consumption	AC24V 2.5VA~ 5.0VA max. / IR LED On 12VDC 240mA~ 600mA max. / IR LED On
Physical Specification	Dimensions (øxL)	2.87" x 4.80" (73 x 122mm)
	Weight	3.21b/ (1.45kg)