

GV-BVF480

1/3" COLOR, VARIFOVAL, WEATHER RESISTANT, BULLET CAMERA



SUMMARY

The GV-BVF480 varifocal bullet camera is the perfect choice for applications where a low profile camera is needed. The externally adjusted, variable focal range and focus of the camera make installations more convenient and fast.

The camera comes equipped with a 3.8 ~ 9.5mm varifocal fixed iris lens and a mounting bracket. The camera can be mounted from its back, top or bottom for the installers convenience.

The 480 TV Lines of resolution provides a sharp clear picture while the IP66 rated weather resistance makes this camera an excellent choice for both indoor and outdoor applications.

FEATURES

- Bullet Color Camera
- 1/3" Super HAD Sony CCD
- 480 TV Lines Resolution
- Minimum Scene Illumination 0.3 Lux
- Varifocal Fixed Iris Lens built-in STD: 3.8~9.5mm / F1.3
- Externally Adjustable Focal Length & Focus by Ring
- Back Light Compensation
- Weather Resistant (IP66)
- Back, Top and Bottom Side Bracket Mounting Available
- 12VDC

ACCESSORIES

RECOMMENDED POWER SUPPLIES

GV-TRAN-12-500DC, 12VDC, 500 MA, plug in transformer

GV-M1234, 12VDC, 3 amp, 4 fused outputs

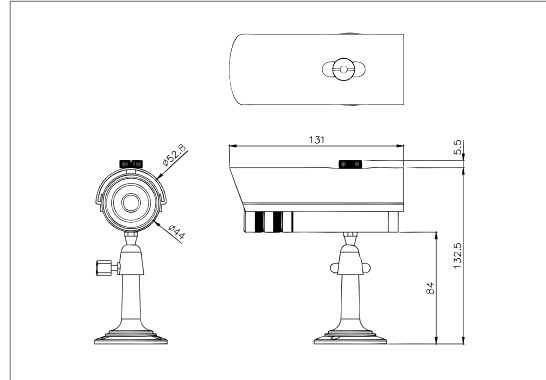
GV-BVF480 | TECHNICAL SPECIFICATIONS

Unit



GV-BVF480

Dimensions (unit : mm)



SPECIFICATIONS

Camera Type	Color	Bullet IR camera
Image	Device	Super HAD Sony CCD
	Size	1/3"
Scanning	Pixels – Effective	768 (H) x 494 (V)- 380K pixels
	Pixels – System	525 lines, 2:1 Interlace
Min. Scene Illumination	Color	0.3 Lux
	Shutter speed	1/60~1/100,000sec (max)
Functions	AGC	Built In
	Lens	Size
Resolution	Horizontal	480 (Color) TV Lines
Video Output	VBS 1.0Vp-p	VBS 1.0Vp-p (75 Load)
S/N Ratio	S/N Ratio	Greater Than 48dB
Environmental Conditions	Operating Temperature	-10°C ~ +50°C (14°F ~ +122°F)
	Power	Power Requirement
Physical Specification	Power Consumption	2W (160mA)
	Dimensions (øxL)	1.7"x 4.5" (44x 116mm)
	Weight	1.5lb / (0.68kg)