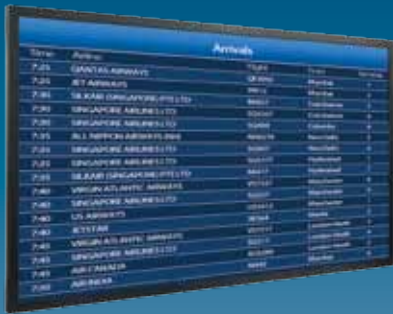




# PLANAR ep55L

The Planar ep55L is a 55" professional LCD display using edge-lit LED backlight technology. The Planar ep55L features full HD resolution (1920x1080) in an ultra-thin, lightweight design that provides superior energy efficiency for demanding 24x7 applications. Additional features of the Planar ep55L include ambient light control, industrial metal bezel for durability, wide range of source compatibility and connectivity and a standard VESA mounting pattern. The Planar ep55L's logo-free design supports either portrait or landscape orientation that can be customized to suit any digital signage or control room application.



## FEATURES

**Ultra-thin design**  
Less than 2 inches deep

**Lightweight for easy installation**

**Eco-friendly LED technology**  
Low power, mercury-free

**Superior resolution and image quality**  
Full HD (1920 x 1080p),  
120Hz panel refresh rate

**Rugged and reliable**  
Built and designed for commercial applications operating up to 24x7

**Customizable bezel options**  
Optional EP Select™ color & logo applications

## PLANAR ep55L

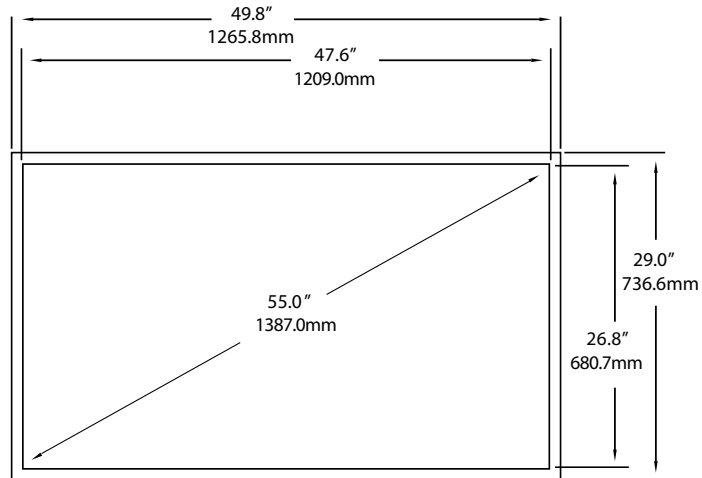
Display resolution	FHD 1080p (1920 x 1080)
Aspect ratio (W:H)	16:9
Display technology	Edge-lit LED LCD
Screen dimensions	
Diagonal	55" (138.7 cm)
Width by height	47.6"x26.8"(121.0 cm x 68.0cm)
Cabinet dimensions (WxHxD)	
Standard	49.8"x29.0"x1.8" (126.6 cm x 73.7cm x 4.6cm)
SDI	49.8"x29.0"x2.8" (126.6 cm x 73.7cm x 6.8cm)
Bezel width	1.0" (2.61cm)
Screen brightness (max)	450 cd/m2
Response time (typical)	6.5 ms
Frame rate	120Hz
Contrast ratio (full field)	4000:1
Full viewing angle	178°
Color gamut	72% NTSC
Product weight**	64 lbs (29 kg)
Shipment weight**	79 lbs (36 kg)
Backlight type	Edge-Lit LED
Line voltage	100-240V; 50/60Hz
Power consumption	226W (Max)
Standby consumption	< 1 W without Ethernet enabled < 3 W with Ethernet enabled
Operating temperature range	5-40°C (41-104°F)
Operating humidity range	20-80% RH non-condensing
Safety regulations	FCC Class A, EN60950, CE
Standard inputs	VGA x 1 HDMI x 2 DVI-D Displayport x 1 Composite video (RCA) x 1 Component video (RCA) x 1 S-Video (Mini DIN) x 1
Optional inputs	SDI In x 2 / SDI Out
Audio input	PC Audio in (Jack)
Audio output	R/L Line out (Jack)
Display control	LAN RJ45, RS232 in, IR, Keypad (lockable)
Optional accessories	Flat wall mount, tilting wall mount, table stand
Auto brightness control	Ambient light sensor
Enclosure	Metal, Industrial
Orientation	Landscape/portrait
Mounting	400 x 400 mm VESA; 4 holes
Backlight life (1/2 brightness)	50,000 hours
Warranty	3 years Advance Exchange
Bezel color	Black, glossy white or custom

\*\*Weight and dimensions are approximate. Specifications and design are subject to change without notice. This product may be subject to export control regulations.

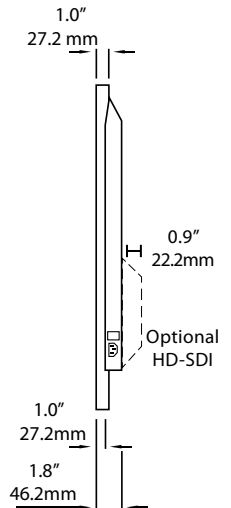
# PLANAR ep55L



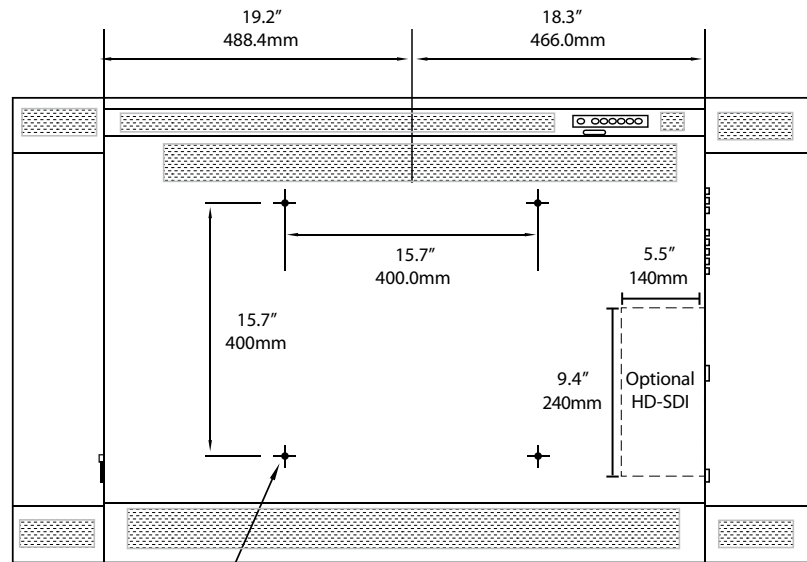
front



side



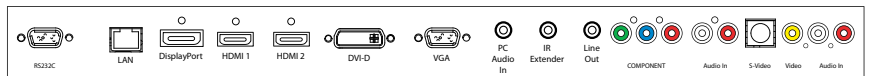
back



For more information

To learn more about the Planar ep55L by Planar Systems, call 503-748-1100 or visit [www.planarcontrolroom.com](http://www.planarcontrolroom.com) or [www.planardigitalsignage.com](http://www.planardigitalsignage.com).

## Standard inputs



## Optional HD-SDI inputs



When image experience matters.

**Planar Systems, Inc.**  
 1195 NW Compton Drive  
 Beaverton, OR, 97006-1992, USA  
 Toll Free +1-866-475-2627  
[www.planar.com](http://www.planar.com)

Planar is a trademark of Planar Systems, Inc. All other trade and service marks are the property of their holders.

Copyright © 2011 Planar Systems, Inc. All rights reserved. This document may not be copied in any form without written permission from Planar Systems, Inc. Information in this document is subject to change without notice.