



## OUR NEW BROADBAND CAPABLE AND SURVEILLANCE FEATURE-PACKED COLOR DOME CAMERA

The new Panasonic WV-NS324 can be connected to both analog and digital networks. Color camera, zoom lens, pan and tilt mechanisms are all combined in a single compact unit. When this camera is connected to an Ethernet network, you can operate it and monitor its images from a personal computer. Or, you can use it with an analog color composite signal as part of your existing surveillance systems using coaxial cable. With input from a motion detector or external sensor, it can automatically store images and attach them to e-mail or control external devices to turn on lights or start surveillance recording. Combining a 10x zoom lens with 5x digital zoom, it can zoom in for up to 50x close-ups. It operates in lighting as low as 1.0 lx (0.1 fc) and can pan a full 360°. The Flip-A-Chip feature makes it easy to capture subjects passing directly below the camera, the image-hold feature prevents blurring when the camera moves, and pre-set positions simplify operation.

Superb specifications and a host of convenience features make the WV-NS324 ideal for bank branch, franchise outlet or other network surveillance applications.

### OPTIONAL ACCESSORIES

Smoke Cover  
**WV-CS2SH**  
Mirror Cover  
**WV-CS2M**

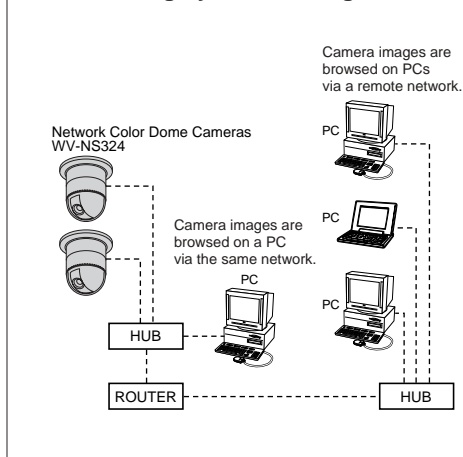


### KEY FEATURES

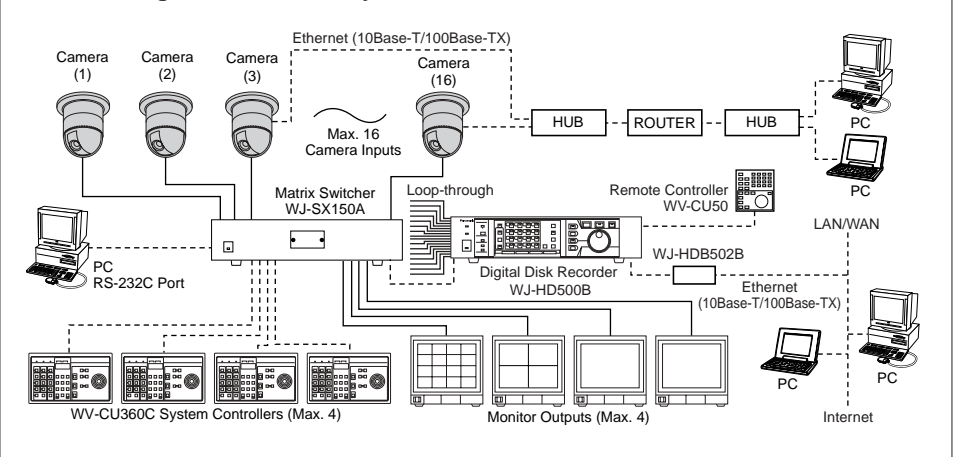
- Compact dome designed all-in-one unit color surveillance camera.
- Both analog video output and digital Ethernet port are available.
- Built-in network interface (10Base-T/100Base-TX) for remote monitoring by PC simply. (Internet interface protocol; TCP/IP, UDP/IP, HTTP, FTP, SMTP, DNS, DDNS, DHCP, NTP and BOOTP)
- Built-in Alarm function for external security devices, and FTP alarm activation.
- JPEG image size : VGA (640 x 480), HVGA (640 x 240), QVGA (320 x 240) and QQVGA (160 x 120)
- 1/4 -type CCD color image sensor with 768H x 494V pixels.
- 480-line of horizontal resolution.
- Min. illumination of 1.0 lx (0.1 fc) (at AGC High).
- Built-in Flip-A-Chip function.
- Image hold function during panning.
- 360° endless panning range.
- Auto panning with rotation speed of 100°/s.
- 10x optical zoom (4.2 - 42mm at F1.4) plus 5x electronic digital zoom lens provided (total zoom capacity of 50x).
- Auto focus lens mechanism.
- Alarm input/output terminal connectors
- Built-in digital motion detector.
- Built-in alphanumeric character display.
- Electronic sensitivity enhancement (Auto; up to 10x, Manual; up to 32x, and Off)
- Digital signal processing LSI's for high quality pictures : 2H vertical enhancement, Chroma gain, Pedestal, Hue and Noise reduction circuit.
- Multiplexed Vertical Drive (VD2) sync capability with Panasonic system products.
- AC 24V power supply for easy installation.

## SYSTEM EXAMPLES

### 1 Monitoring System utilizing an Intranet



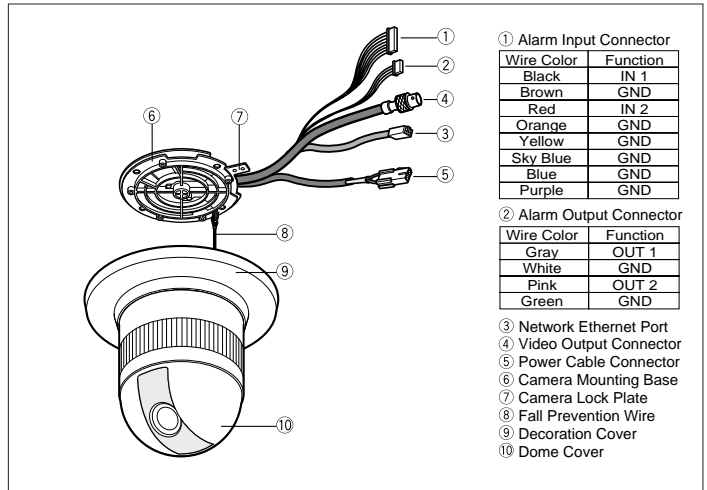
### 2 Monitoring with Panasonic System Products



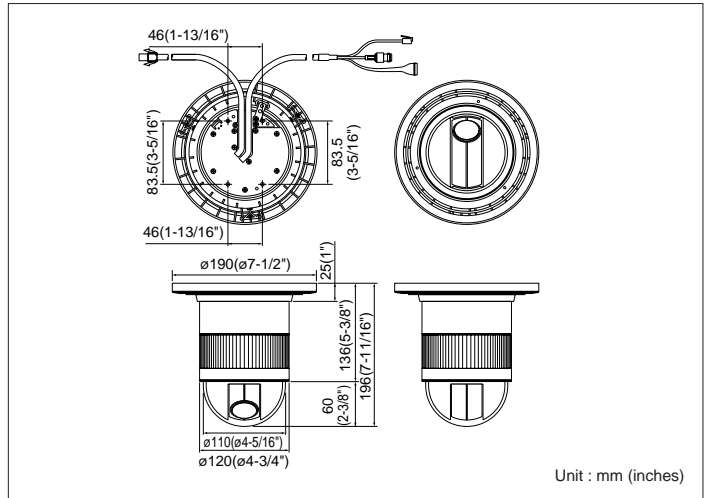
## SPECIFICATIONS

<b>Pick-up Device</b>	768 (H) x 494 (V)
<b>Scanning Area</b>	3.65mm (H) x 2.71mm (V), 1/4-type CCD image sensor
<b>Synchronization</b>	Internal/Line-Lock/Multiplexed Vertical Drive (VD2)
<b>Scanning</b>	525 lines/60 fields/30 frames
<b>Scanning System</b>	2 : 1 interlace
<b>Video Output</b>	VBS1.0V[p-p]/75Ω, composite signal
<b>Resolution</b>	H more than 480 lines (at center) V more than 350 lines (at center)
<b>Minimum Illumination</b>	1.0 lx (0.1 fc) at F1.4 (at AGC High)
<b>Signal to Noise Ratio</b>	50dB (AGC OFF, Weight On)
<b>AGC</b>	On (Low, Mid, High)/Off
<b>Title Display</b>	On/Off
<b>Motion Detector</b>	On/Off
<b>Flip-A-Chip Function</b>	On/Off
<b>BLC</b>	Selectable On/Off
<b>Set Up</b>	Max. 4 times, Auto/Fix
<b>Alarm Input</b>	2 Inputs (Alarm In 1-2)
<b>Alarm Output</b>	2 Outputs (Alarm/Aux)
<b>Electronic Shutter</b>	Off (1/60), 1/100, 1/250, 1/500, 1/1,000, 1/2,000, 1/4,000, 1/10,000 s
<b>Network Section</b>	
Image Resolution	VGA (640 x 480), HVGA (640 x 240), QVGA (320 x 240) and QQVGA (160 x 120)
Image Process	JPEG (Super Fine/Fine/Normal/Rough selectable)
Image Refresh Rate	Fast/Middle/Slow/Very Slow
Traffic Control	32/64/128/256/512/1,024 kbps and unlimited
Internet Protocol	TCP/IP, UDP/IP, HTTP, FTP, SMTP, DNS, DDNS, DHCP, NTP and BOOTP
<b>Zoom Ratio</b>	10x Optical plus 5x digital zoom (50x total)
<b>Max. Aperture Ratio</b>	1 : 1.4 (Wide) ~ 2.0 (Tele)
<b>Focal Length</b>	4.2 ~ 42mm
<b>Angular Field of View</b>	H 4.9° ~ 47° V 3.7° ~ 36°
<b>Zoom Speed</b>	approx. 3.9s (Tele/Wide) in manual mode
<b>Focus Speed</b>	approx. 3.0s (Far / Near) in manual mode
<b>Iris</b>	Automatic (open/close)/manual
<b>Panning Range</b>	360° endless
<b>Panning Angle Setting</b>	Possible (in auto-pan mode)
<b>Panning Mode</b>	Manual/auto pan
<b>Panning Speed</b>	Manual: approx. 1.0°/s ~ 100°/s Preset position: max. 100°/s
<b>Tilting Range</b>	0° ~ 92°
<b>Tilting Mode</b>	Manual
<b>Tilting Speed</b>	Manual: approx. 1.0°/s ~ 100°/s Preset position: max. 100°/s
<b>Controls</b>	Pan/tilt, lens, preset position, home position
<b>Controller I/F</b>	Multiplex-Coaxial
<b>Power Supply</b>	24V AC, 60Hz
<b>Power Consumption</b>	15W
<b>Ambient Operating Temperature</b>	-10°C ~ +50°C (14°F ~ 122°F)
<b>Ambient Operating Humidity</b>	Less than 90%
<b>Dimensions</b>	ø120 (D) x 196 (H) mm [ø4-3/4" (D) x 7-11/16" (H)] (ø110mm [ø4.3" diameter dome size)
<b>Weight</b>	Approx. 2kg (4.4lbs.)

## MAJOR OPERATING CONTROLS



## APPEARANCE



• Weights and dimensions are approximate. • Specifications are subject to change without notice. • These products may be subject to export control regulations.

# Panasonic

Panasonic Digital Communications & Security Company  
Unit of Matsushita Electric Corporation of America

Security Systems Group  
<http://www.panasonic.com/cctv>

Executive Office : One Panasonic Way 3E-7, Secaucus, New Jersey 07094  
Zone Office

Eastern : One Panasonic Way, Secaucus, NJ 07094 (201) 348-7303

Central : 1707 N.Randal Road, Elgin, IL 60123 (847) 468-5205

Western : 6550 Katella Ave., Cypress, CA 90630 (714) 373-7840

DISTRIBUTED BY:

PANASONIC CANADA INC.

5770 Ambler Drive, Mississauga, Ontario, L4W 2T3 Canada (905) 624-5010

PANASONIC SALES COMPANY

DIVISION OF MATSUSHITA ELECTRIC OF PUERTO RICO, INC.

San Gabriel Industrial Park 65th Infantry Ave. KM. 9.5 Carolina, P.R. 00985 (809) 750-4300

Printed in Japan

WV-JHNS324T(2P-507)