

Panasonic
ideas for life

Weather Proof
Super Dynamic II Color Camera
(with Low-Light B/W Mode)

WV-CW374



**Now outdoor surveillance doesn't
just look futuristic. It is.**

IP66
standard



SDIITM
Super Dynamic

Design, features, ease of installation, weather proof, WV-CW374 outdoor camera has it all.

The new Panasonic WV-CW374's streamlined metallic body contains a **Super Dynamic II** camera, 8x variable-focal lens, fan/heater, and IP66 standard approved weather proof outdoor housing.

It's loaded with features that make it ideal for all day, all night 24-hour surveillance, and it's easy to install as well.

Unprecedented stylish design makes it the perfect match for office entrances and communicates the presence of the highest level of security available.

Stylish, silver metallic body **Futuristic**

Blends smoothly into any location/environment **Affinity**

State-of-the-art security image frightens intruders **Deterrent**

Weather Proof

IP66 standard approved

Color or black-and-white 24-hour surveillance

8x variable-focal lens

Design

High Performance

Outdoor

Simple to Install

Super Dynamic II

High-quality imaging with 510-line color (High) h. resolution

Ultra-sensitive, for lighting as low as 1 lux (0.1 fc), at color imaging

"Invisible Cable" concealed in bracket

Choice of 3 installation methods

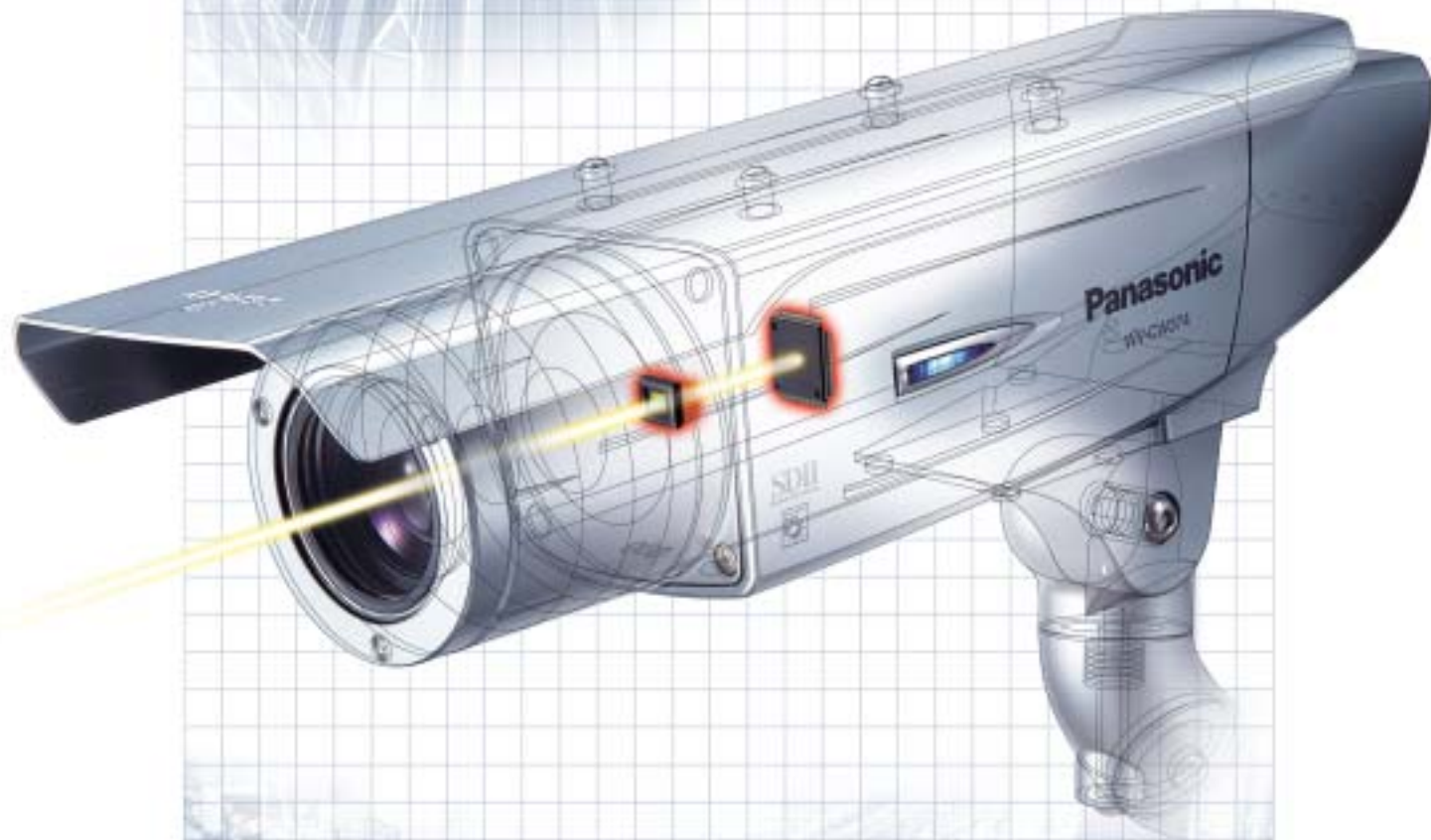
Easy to install

The ideal form of outdoor surveillance for high-rise office buildings, suburban office complexes, movie theaters, stadiums, museums, shopping malls, airports, terminals, and parking lots.



Loaded with advanced surveillance features to ensure dependable weather proof outdoor surveillance

IP66 dust and moisture protection and day/night features make it the perfect choice for 24-hour outdoor surveillance. Equipped with an 8x variable-focal lens and Super Dynamic II image processing, it captures clear images in low-light and dark locations.



OUTDOOR HIGH PERFORMANCE

Weather proof outdoor use

The WV-CW374 model meets the IP66 international standard. The camera can be installed under building eaves, external walls, rooftops and many other locations.



24-hour surveillance

As surroundings darken, it switches automatically from color to black-and-white mode to enhance sensitivity. Then in the morning, the Day/Night feature automatically switches it back to color. Manual switching is also provided.

Day (Color mode)



Night (B/W mode) at low-light condition



Day/Night switching

Built-in Fan/Heater

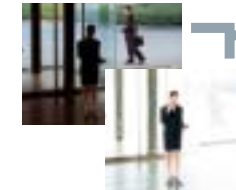
The built-in Fan/Heater turns on automatically when it senses temperature fluctuations, preventing dew condensation in cold or changeable climates. Permits installation in locations with temperatures ranging from -30°C to $+50^{\circ}\text{C}$ (-22°F - 122°F).



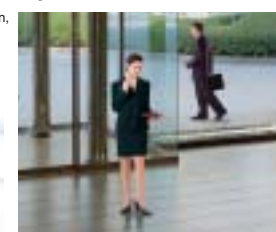
Super Dynamic II

Super Dynamic II technology provides 64 times the range of conventional video cameras, providing clear, viewable surveillance images even in extreme backlit and high contrast lighting situations.

Set the lens aperture to the bright section, and the dark section is invisible.



Set the lens aperture to the dark section, and the bright section is invisible.



510-line horizontal resolution for clearer, more vivid color images

Equipped with 768 (H) x 494 (V), 1/3-type CCD that delivers 510-line color (in High mode) or 570-line resolution in black-and-white.

Ultra-sensitive for color surveillance in light as low as 1 lux (0.1 fc)

This ultra-sensitive camera delivers clear full color images in lighting as low as 1 lux (0.1 fc) and clear black-and-white images in lighting as low as 0.15 lux (0.015 fc). 32x electronic enhancement ensures clear color images even in dimly lit spaces.

IP66 Standard

8x variable-focal lens

Equipped with a 5.0 mm - 40.0 mm (8x) variable-focal lens, ensuring the best possible image under surveillance.



Flat lens structure

The flat surface of the lens makes it difficult for dust, water droplets or snow to stick to it.



Equipped with sun shield

The built-in sun shield allows this camera to be located in direct sunlight.



Blue LED to deter intruders

The blue LED on the side of the camera turns on for a deterrent effect, and starts blinking when the motion detector sensor activates. By signaling the camera's movement, it warns off intruders.



VMD (Video Motion Detector) function

When motion is detected in the camera image, an alarm is sent. By connecting the alarm to a digital disk recorder that stores the image, you can construct a highly effective automated image-capture system.



(Turns white only in demo mode)

Camera title

The monitor displays a title identifying the camera that is the source of the image. The title can be up to 16 characters long and combine alphabetic, numeric, and symbolic characters.

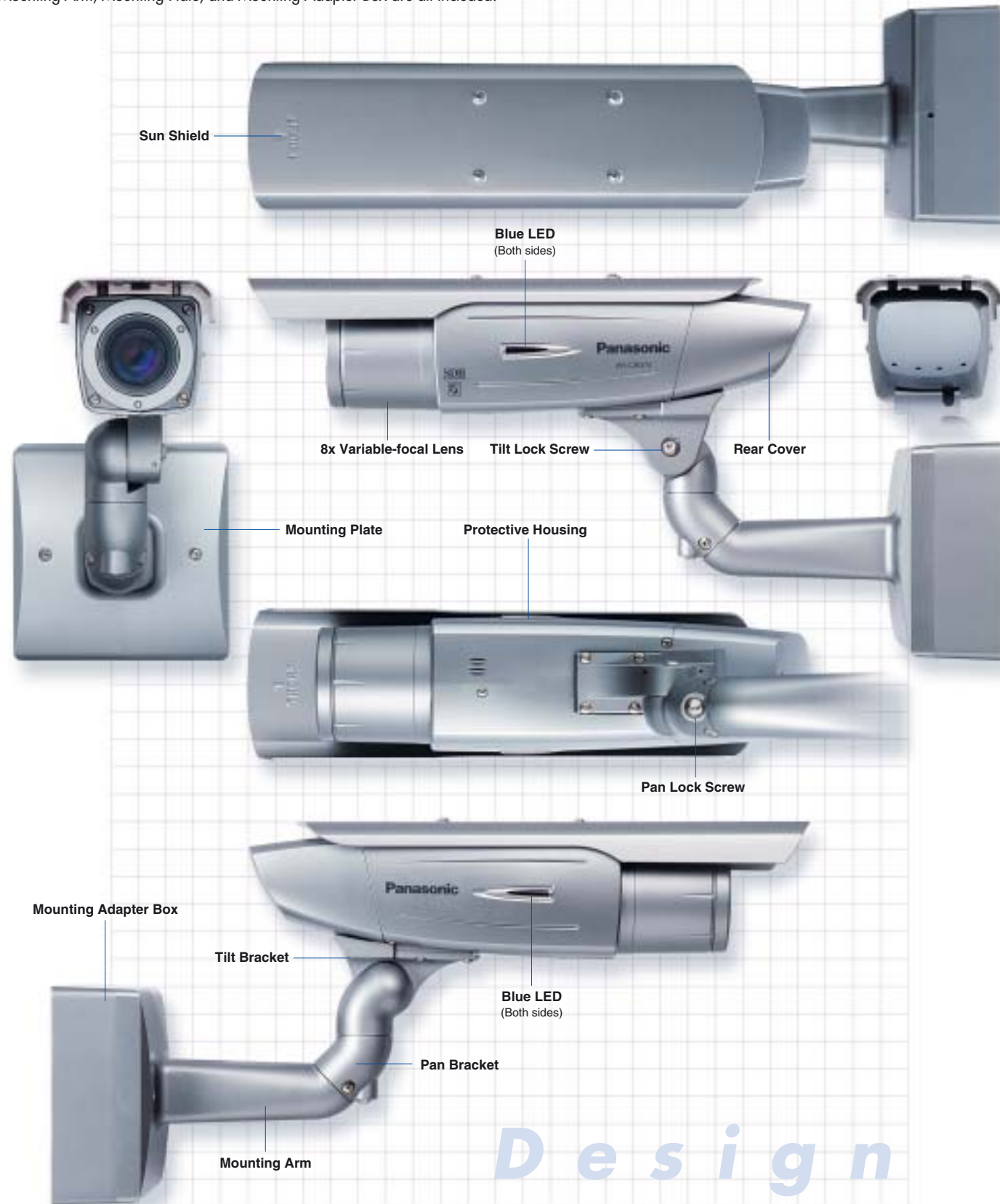


24V AC / 12V DC power supply

The WV-CW374 can use either 24V AC and 12V DC power sources.

A total outdoor surveillance solution in one stylish unit

Super Dynamic II camera, 8x variable-focal lens, Fan/Heater, Protective Housing, Pan/Tilt bracket, Mounting Arm, Mounting Plate, and Mounting Adapter Box are all included.



Design

SIMPLE & EASY TO INSTALL

Invisible Cable; Clean, Simple Lines

Both camera and wall cables are concealed inside the bracket.



3-way Installation

1 Cables through wall with Mounting Adapter Box



2 Using Conduit (Flexible pipe) with Mounting Adapter Box



3 Direct mount without Mounting Adapter Box



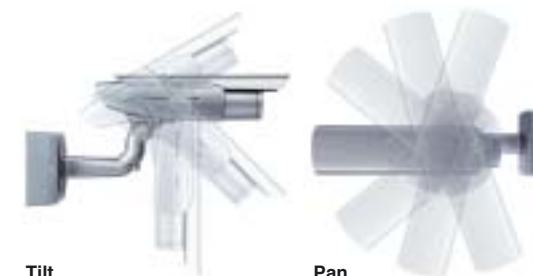
Equipped with Monitor output connector

Since a small LCD monitor (option) can be attached to the monitor output connector (3.5mm in diam. Mini jack), camera angle and focus can be checked on the spot.



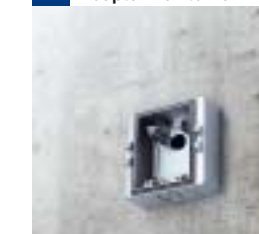
Flexible camera angle settings

The bracket allows the camera to Tilt +30° ~ -90° and pan, making it possible to freely adjust the camera angle.



Simple Installation Procedure

1 Attach Mounting Adapter Box to wall.



2 Attach Mounting Plate to Hinge.



Use four screws (option) to attach Mounting Adapter Box to wall.

3 Attach Camera to Mounting Arm.



Set Hinge Screw provided to allow opening and closing

4 Secure Mounting Plate.



Pass the camera cable through the Mounting Arm and attach to wall cable.

5 Attach Trim Covers



Use four screws provided to attach Mounting Plate.

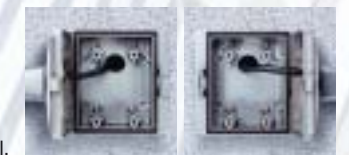
6 Finished!



Use two screws provided.

The opening can be either on the left or the right side

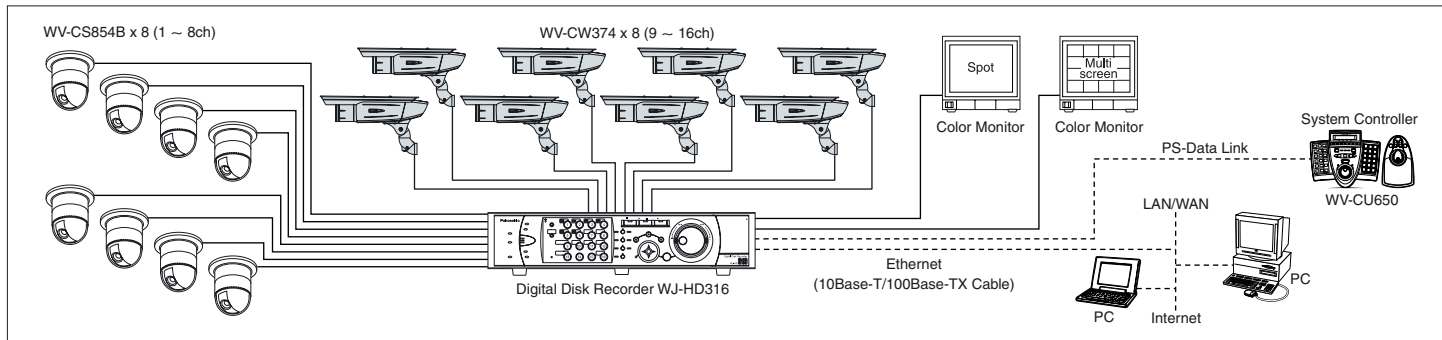
The Mounting Plate opening can be either on the left or the right. However, it is best if one side is tightly pressed against a wall.



Fits neatly above the existing junction box.

Installation is simple because the Mounting Adapter Box and Mounting Plate are designed to be mounted directly above the existing junction box.

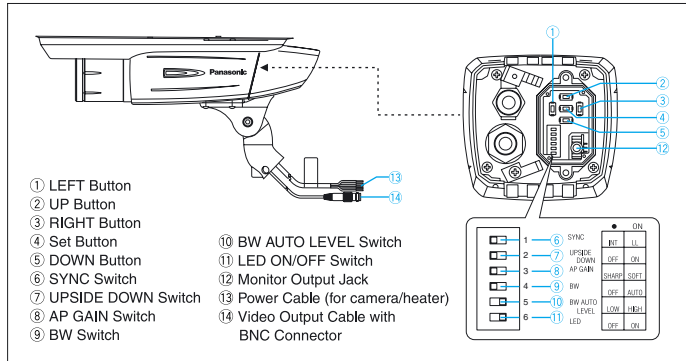
SYSTEM EXAMPLE



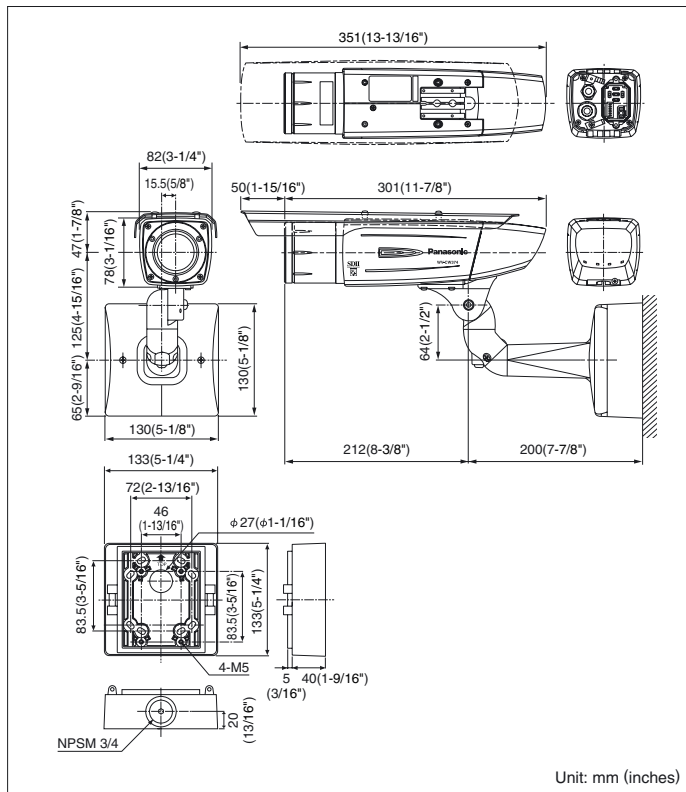
SPECIFICATIONS

Pick-up Device	768 (H) x 494 (V) pixels, interline transfer CCD
Scanning Area	4.8 (H) x 3.6 (V) mm
Scanning	525 lines / 60 fields / 30 frames Horizontal 15.734 kHz, Vertical 60 Hz
Scanning System	2 : 1 interlace
Synchronization	Internal / Line lock / VD2 lock
Video Output	1.0V[p-p] NTSC composite / 75 Ω
Horizontal Resolution	510 lines color imaging (at high mode) 480 lines color imaging (at normal mode) 570 lines B/W imaging
S/N Ratio	50dB (min.) <luminance S/N> (at AGC ON, weight ON)
Mini. Illumination	1.0 lux at color imaging, 0.15 lux at B/W imaging
AGC	Selectable ON (High/Mid/Low), OFF
White Balance	Selectable ATW1/ATW2 and AWC (SET UP MENU)
Aperture	Variable (SET UP MENU)
Electronic Light Control	Equivalent to continuous variable shutter speed between 1/60s and 1/10,000s
Dynamic Range	48dB typical
ALC Lens	DC
Character Generator	ON SCREEN SET UP MENU, CAMERA ID
Lens Type	8x variable focal lens
Focal Length	5.0 - 40.0 mm
Aperture Ratio	1:1.6 (Wide) to 1:76, F1.9 (Tele) to 1:76, close
Angular Field of View	Horizontal: 6.6° ~ 52° Vertical: 5.0° ~ 39.6°
Min. Object Distance	1.2 m (3.9 ft) - ∞
DIP SW	(1) SYNC Switch: INT/LL (2) Upside down Switch: ON/OFF (3) Aperture Switch: SOFT/SHARP (4) Day/Night Switch: AUTO/COLOR FIX (5) B/W Level: High/Low (6) LED: ON/OFF
Ambient Operating Temperature	-30°C ~ +50°C (-22°F ~ 122°F)
Ambient Operating Humidity	Less than 90 %
Power Source and Power Consumption	For camera 24 V AC 60 Hz; 3.8 W 12 V DC; 367 mA For heater 24 V AC 60 Hz; 12 W
Ingress Protection (Camera Unit)	IP66, NEMA 4X
Dimensions (W x H x D)	130 x 237 x 462 mm (5-1/8" x 9-5/16" x 18-3/16")
Weight	1.3 kg (2.9 lbs.)

MAJOR OPERATING CONTROLS



APPEARANCE



OPTIONAL COMPONENTS

<p>Digital Disk Recorders</p> <p>WJ-HD316 (16ch)</p> <p>PS-Data</p> <p>WJ-HD309 (9ch)</p> <p>PS-Data</p>	<p>System Controller</p> <p>WV-CU650</p> <p>PS-Data</p>	<p>MATRIX SYSTEM 150</p> <p>Matrix Switcher</p> <p>WJ-SX150A</p> <p>System Controller</p> <p>WV-CU360C</p> <p>Multiplexer Board</p> <p>WJ-SXB151</p>		
<p>Color Monitors</p> <p>WV-CM2080</p> <p>51cm (20")</p> <p>PS-Data</p>	<p>WV-CM1780</p> <p>41cm (16")</p> <p>PS-Data</p>	<p>WV-CM1480</p> <p>36cm (14")</p> <p>PS-Data</p>	<p>WV-CM1420</p> <p>34cm (13")</p>	<p>WV-CM1020</p> <p>22cm (9")</p>

Important note: the WV-CW374 camera is NOT vandal-proof nor does it have any vandal-resistant capabilities.

Safety Precaution: carefully read the operating instructions and installation manual before using this product.

• All TV pictures are simulated. • Weights and dimensions are approximate. • Specifications are subject to change without notice. • These products may be subject to export control regulations.

Panasonic

Panasonic Digital Communications & Security Company
Unit of Matsushita Electric Corporation of America

Security Systems Group

<http://www.panasonic.com/security>

Executive Office : Three Panasonic Way 2H-2, Secaucus, New Jersey 07094
Zone Office

Eastern : Three Panasonic Way, Secaucus, New Jersey 07094 (201) 348-7303

Central : 1707 N.Randal Road, Elgin, IL 60123 (847) 468-5205

Western : 6550 Katella Ave., Cypress, CA 90630 (714) 373-7840

DISTRIBUTED BY:

PANASONIC CANADA INC.

5770 Ambler Drive, Mississauga, Ontario, L4W 2T3 Canada (905) 624-5010

PANASONIC SALES COMPANY

DIVISION OF MATSUSHITA ELECTRIC OF PUERTO RICO, INC.

San Gabriel Industrial Park 65th Infantry Ave. KM. 9.5 Carolina, P.R. 00985 (809) 750-4300

Printed in Japan

WV-JHCW374C(2P-521)