

# Panasonic®

PRELIMINARY  
Vandal Proof Color Cameras  
**WV-CW244 Series**

For ceilings and walls    For existing junction boxes



Surface Mount Type  
WV-CW244S



Flush Mount Type  
WV-CW244F

The Easy to Install, Vandal Proof, Weather Proof,  
and Cost Effective Camera Solution



# These high-performance cameras are tough enough to withstand shock, rain and extreme temperatures.

Panasonic announces the new WV-CW244 Series of basic vandal proof cameras. Inside their compact, rugged bodies, these all-in-one cameras provide a full range of basic surveillance features. The optional heater unit allows them to be used under eaves outdoors as well as inside, in extreme cold or exposed to extreme temperature fluctuations, making them ideal for a wide range of applications.

## Heavy Duty

The die cast aluminum body

### Withstands Severe Shocks

The body is die cast aluminum, the dome 3.5mm thick polycarbonate, and the lens unit is spring-mounted to protect the camera from shocks.



IP66 standard

### Impervious to Rain and Wind

Dust and moisture resistance meet IP66 international standards, allowing use under eaves outdoors as well as indoors.



Heater unit: WV-CW3H (Optional)

### Ideal for Extreme Temperatures

The optional heater unit adjusts automatically to cold or extreme temperature fluctuations, helping to prevent dew condensation.

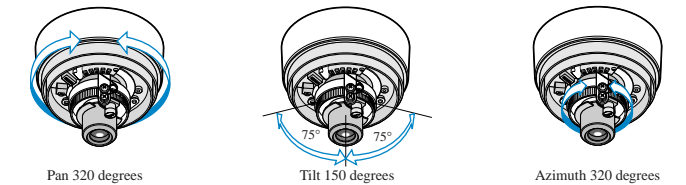


## Simple to Install

Exclusive three-way hinge for

### Trouble-free Installation Anywhere

Inside the dome, the camera is mounted on a three-way hinge that allows horizontal, vertical, and rotary movement. Plus, digital image processing allows images to be flipped horizontally or vertically. Adjustment is so simple that there is no need to worry about where the camera is attached or how it is oriented.



Monitor output interface for

### Easy-to-adjust Angle and Focus

Hooking up a small-format LCD monitor makes on-the-spot adjustments of angle and focus easy. ELC features are activated automatically when the monitor is attached, making it simple to be sure that the camera is recording what you want to see.



### Can Be Installed on Existing Junction Boxes

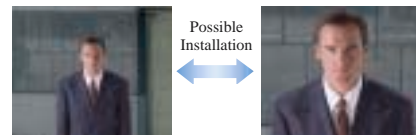
For existing junction boxes, use the Flush Mount Type WV-CW244F.



## High-Performance

### 2x Variable Focus Lens

A 2x zoom lens with a focal length that varies from 3.8 to 8.0 mm is standard equipment, ensuring the best possible image of the spot under surveillance.



### Replaceable Lenses

The standard lens can be removed and replaced with any CS-mount lens.

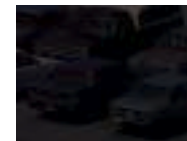
### 480-Line Horizontal Resolution

Using a 1/3-type 768 (H) x 494 (V) pixel CCD, these cameras deliver razor sharp images with 480 lines of horizontal resolution.

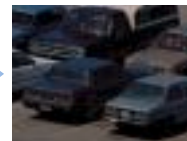
### High Sensitivity in Lighting as Low as 1lx (0.1fc)

Minimal lighting required is 2.4lx (0.24fc) when using the standard smoke-colored dome. When equipped with the optional WV-CW2C clear dome cover, these ultra-sensitive cameras work well in light as low as 1lx (0.1fc), making it possible to obtain clear color images in darkened spaces.

Current



Optional Clear Dome Cover WV-CW2C



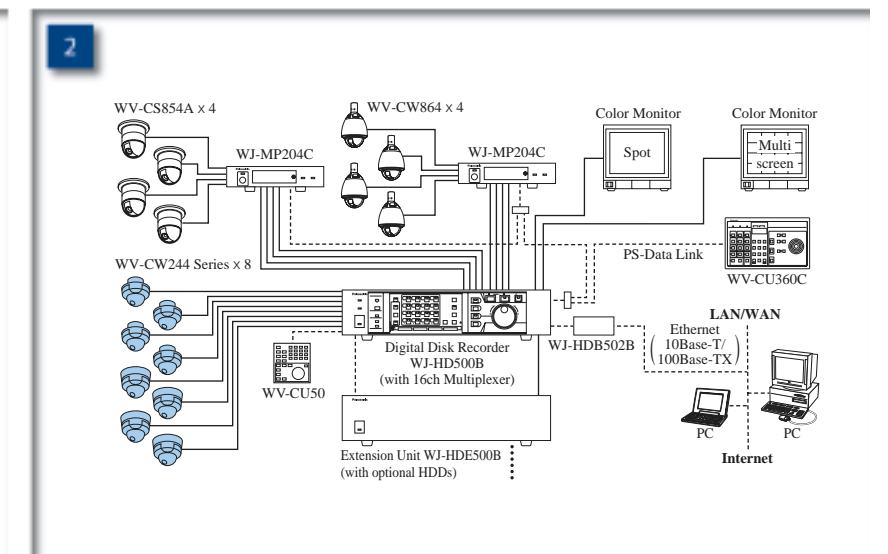
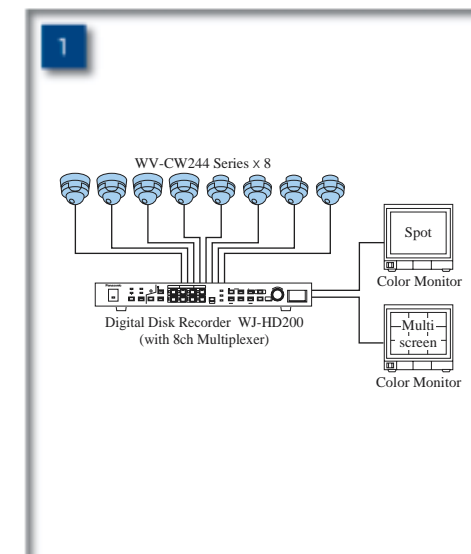
### Loaded With Outstanding Compensation and Correction Features

These cameras come equipped with a full range of Back-Light Compensation (BLC), Electronic Light Control (ELC), Aperture Correction, and Auto Tracing White Balance (ATW) features, enabling them to produce clear, color images in entrances, windows, and other strongly backlit environments.

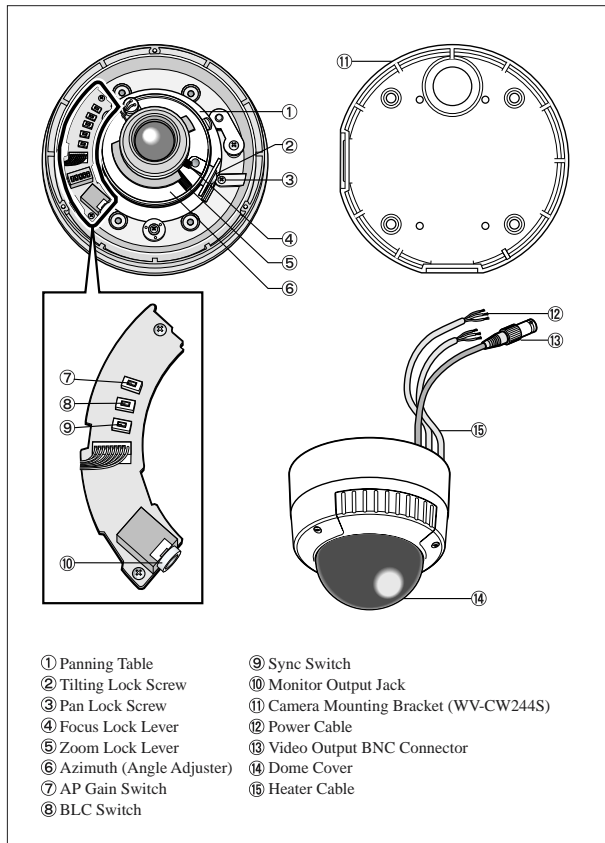
### Multi-Channel Camera System Compatible

When installed with an AC 24-volt power source, Internal, Line-Lock, and VD2 channels can be used simultaneously, making it simple to configure multi-channel systems using multiple cameras.

## System Examples



## MAJOR OPERATING CONTROLS



## OPTIONAL COMPONENTS & ACCESSORIES

Heater Unit  
WV-CW3H

Mounting Base for WV-CW244F  
WV-Q112

Clear Dome Cover  
WV-CW2C



Digital Video Duplex Color Multiplexers  
WJ-FS409 (9ch) **PS•Data**  
WJ-FS416 (16ch) **PS•Data**



Data Multiplex Unit  
WJ-MP204C  
**PS•Data**



System Controller  
WV-CU360C  
**PS•Data**



Digital Disk Recorder  
with 16ch Multiplexer  
WJ-HD500B  
**PS•Data**



Digital Disk Recorder  
with 8ch Multiplexer  
WJ-HD200  
**PS•Data**



Digital Disk Recorder  
WJ-HD100  
**PS•Data**



MATRIX SYSTEMS  
SYSTEM 850  
SYSTEM 500  
SYSTEM 150



Color Monitors  
WV-CM2080 51cm (20") **PS•Data**  
WV-CM1780 41cm (16") **PS•Data**  
WV-CM1480 36cm (14") **PS•Data**  
WV-CM1420 34cm (13")  
WV-CM1020 22cm (9")

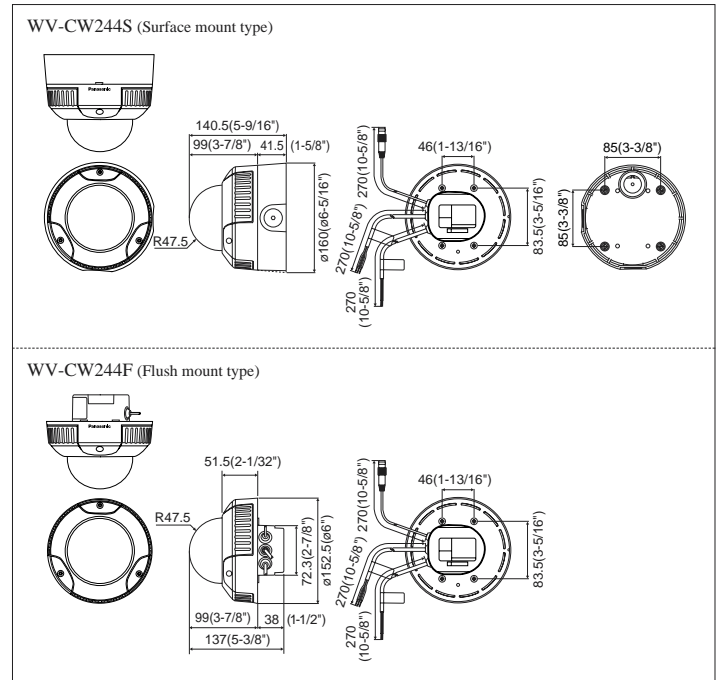


## SPECIFICATIONS

Model No.	WV-CW244S	WV-CW244F
Type	Surface mount type	Flush mount type
Pick Up Device	768 (H) x 494 (V) pixels, interline transfer CCD	
Scanning Area	4.88 (H) x 3.66 (V) mm, (Equivalent to 1/3" tube)	
Scanning	525 lines / 60 fields / 30 frames	
Scanning System	2 : 1 interlace	
Synchronization	Internal / Line-Lock / VD2	
Video Output	VBS 1.0V [p-p] / 75 Ω / NTSC composite signal / BNC connector	
Resolution	Horizontal	480 lines (at center)
	Vertical	more than 350 lines (at center)
Minimum Illumination (at F1.4 Wide)	2.4 lx (0.24 fc)	
	1.0 lx (0.1 fc) with optional dome cover; WV-CW2C	
Signal to Noise Ratio	50dB (at AGC Off, Weight On)	
Light Control	ALC mode	
Aperture	SHARP or SOFT, selectable	
Lens	Type	2x variable focal lens
	Focal Length	3.8 ~ 8.0 mm
	Aperture Ratio	F1.4 (Wide) to F176, close / F1.8 (Tele) to F176, close
	Min. Object Distance	1.2 m (3.9 ft) - ∞
Power Source and Power Consumption	24V AC, 60Hz 3.0W / 12V DC, 265mA (24V AC, 60Hz XXW / 12V DC, XXXmA with optional heater unit)	
Ambient Operating Temperature	-10°C ~ +50°C (14°F ~ 122°F)	
Dimensions (D) x (H) (mm)	ø160 x 140.5 mm	ø152.5 x 137 mm
Weight (approx.)		

## APPEARANCE

Unit: mm (inches)



• All TV pictures are simulated. • Weights and dimensions are approximate. • Specifications are subject to change without notice. • These products may be subject to export control regulations.

# Panasonic

Panasonic Digital Communications & Security Company

Unit of Matsushita Electric Corporation of America

Security Systems Group

<http://www.panasonic.com/cctv>

Executive Office : One Panasonic Way 3E-7, Secaucus, New Jersey 07094  
Zone Office

Eastern : One Panasonic Way, Secaucus, NJ 07094 (201) 348-7303

Central : 1707 N.Randal Road, Elgin, IL 60123 (847) 468-5205

Western : 6550 Katella Ave., Cypress, CA 90630 (714) 373-7840

DISTRIBUTED BY:

PANASONIC CANADA INC.

5770 Ambler Drive, Mississauga, Ontario, L4W 2T3 Canada (905) 624-5010

PANASONIC SALES COMPANY

DIVISION OF MATSUSHITA ELECTRIC OF PUERTO RICO, INC.

San Gabriel Industrial Park 65th Infantry Ave. KM. 9.5 Carolina, P.R. 00985 (809) 750-4300

Printed in Japan

WV-JHCW244C(2P-00)