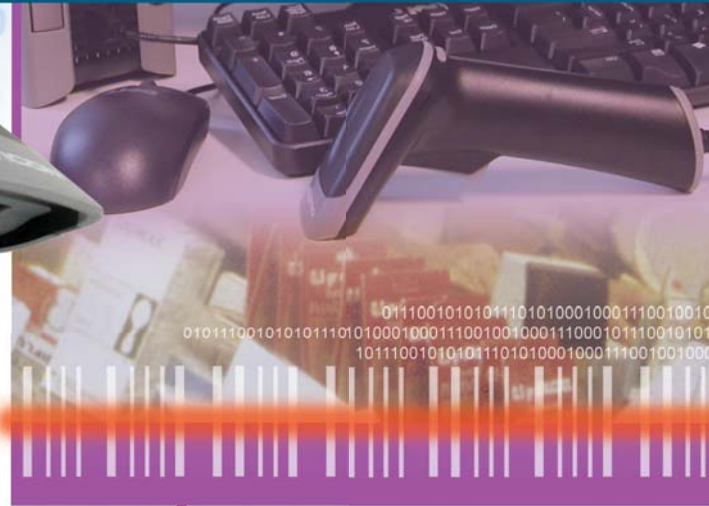


1D LASER

# OPL 7836

Handheld Barcode Scanner



The OPL 7836 is a compact handheld laser scanner that naturally fits the hand. The pistol grip is designed for comfortable use all day.

## Product Features

### Plug and Scan

The plug and play ability of the OPL 7836 allows the user to quickly connect and operate the scanner, thus putting its exceptional scanning performance to immediate use.

### High Performance

High performance 1D linear scanner provides a fast and accurate first time scan and is immediately ready for the next scan even when the barcodes are printed with low contrast or high density.

### Ergonomic and Light Weight

Ergonomic design featuring a sleek, lightweight, and balanced design provides a comfortable fit for all day extended use. Weighing only 100 g (3.5 oz), this pistol grip scanner reduces physical stress and user fatigue providing maximum comfort during operation.

### Durable Construction

The OPL 7836 is designed to endure the rigors of everyday use and withstands drops of up to 1.5 m (5 ft) onto concrete. Made of high-quality material that feels solid in the hand, it is perfect for general scanning.

Cabled

Wireless

Stationary

OEM

**OPTICON**  
always scanning for new ID's

# Specifications: OPL 7836 Handheld Barcode Scanner

## Electrical specifications

Voltage requirement: 5 V ± 10%

Current consumption: max. 150 mA

## Optical specifications

Light source: 650 nm visible laser diode

Scan method: Bi-directional scanning

Scan rate: 100 scans/sec

Reading pitch angle: ±35°

Reading skew angle: ±50° (specular reflection effects within ±8°)

Reading tilt angle: ±20°

Curvature: R>15 mm (EAN-8), R>20 mm (EAN-13)

Reading width: depending on reading distance and barcode label resolution

Min. Resolution at PCS 0.9: 0.127 mm (5 mil)

Min. PCS value: 0.45

Depth of field at PCS 0.9 for Code 39

50 - 500 mm (1.97 - 19.69 in) at res. 1.0 mm (39 mil)

30 - 300 mm (1.18 - 11.81 in) at res. 0.5 mm (20 mil)

30 - 240 mm (1.18 - 9.45 in) at res. 0.25 mm (10 mil)

30 - 130 mm (1.18 - 5.12 in) at res. 0.15 mm (6 mil)

40 - 100 mm (1.57 - 3.94 in) at res. 0.127 mm (5 mil)

## Identification

Supported barcode symbologies (1D): EAN/JAN/UPC incl. add on, Chinese Post, Codabar/NW-7 incl. ABC and CX, Code 11, Code 39, Code 93, Code 128, IATA, Industrial 2of5, Interleaved 2of5, ISBN-ISMN-ISSN, Korean Postal Authority code, Matrix 2of5, MSI/Plessey-UK/Plessey, RSS, Composite Codes, S-Code, Telepen, Tri-Optic

Supported 2D stacked symbologies: MicroPDF417, PDF417

## Communication

Available interfaces: USB (HID/VCP), Keyboard Wedge, RS232

## Functionality

Trigger mode: manual, auto-trigger

## Environmental specifications

Temperature in operation: -5° to 50° C (23° to 122° F)

Temperature in storage: -20° to 60° C (-4° to 140° F)

Humidity in operation: 20 - 85% (non-condensing)

Humidity in storage: 10 - 90% (non-condensing)

Ambient fluorescent light immunity: 3,000 lx max

Ambient direct sun light immunity: 3,000 lx max

Ambient incandescent light immunity: 50,000 lx max

Antistatic electricity: 15 kV (non-destructive)

Shock drop test: 1.5 m (5 ft) drop onto concrete surface

Shock vibration test: 10 - 100 Hz with 2G for 30 minutes

Protection against dust and moisture, according to IEC529: IP x2

## Physical specifications

Dimensions: 145 x 113 x 55 mm (5.70 x 4.44 x 2.16 in)

Case material: ABS

Weight body: ca. 100 g (3.5 oz) excl. cable

Available colors: Black, White

Connector Keyboard Wedge: MiniDIN 6 F/M

Connector RS232: DB9 F with external power

Connector USB: USB-A

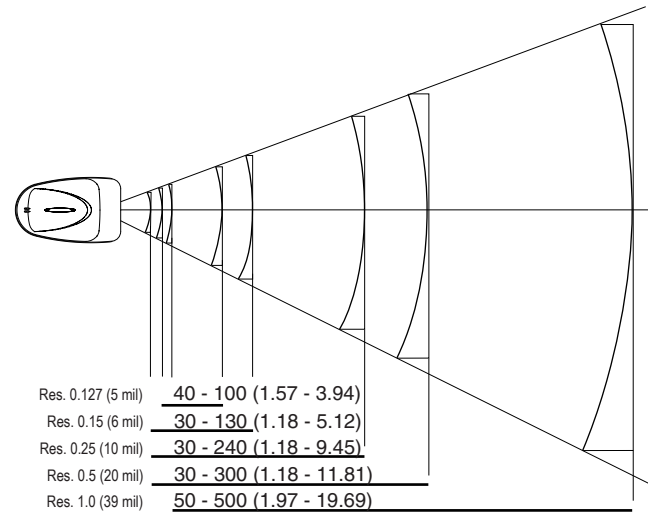
## Regulatory

Laser safety class: JIS-C-6802 Class 1, IEC 60825-1 Class 1, FDA CDRH Class I

Product compliance: CE, FCC, RoHS

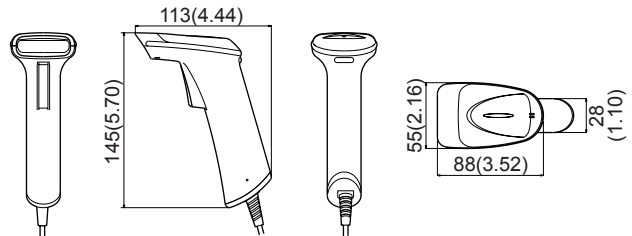
## Depth of field

Unit: millimeters (inches)



## Dimensions

Unit: millimeters (inches)



## Accessories

Sold separately

Power supply: 5V/500mA (External power for RS232)

Copyright Opticon All rights reserved. This information is subject to change without prior notice. Printed 03/2007

- **The Netherlands:** Hoofddorp  
- **France:** ISSY Les Moulineaux CEDEX  
- **Germany:** Dietzenbach  
- **Italy:** Castel Maggiore (BO)  
- **Spain:** Valencia  
- **Sweden:** Järfälla  
- **United Kingdom:** Luton, Bedfordshire  
- **U.S.A.:** Orangeburg, NY - Bellevue, WA  
- **Japan:** Warabi City  
- **Taiwan:** Taipei  
- **P.R.China:** Shanghai  
- **Australia:** Kariang

Opticon Inc.  
8 Olympic Drive  
Orangeburg NY 10962  
U.S.A.  
toll free: 800-636-0090  
local: 845-365-0090  
fax: 845-365-1251  
sales@opticonusa.com

[www.opticonusa.com](http://www.opticonusa.com)

**OPTICON**  
always scanning for new ID's