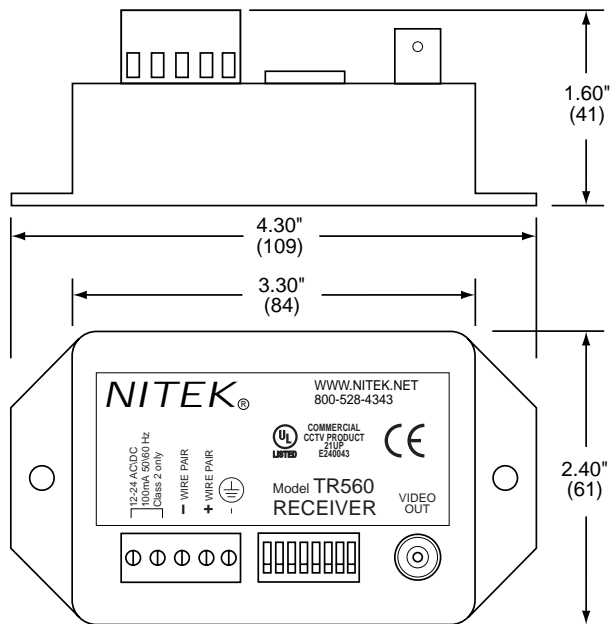


PRODUCT SPECIFICATION

DOCUMENT NUMBER TR00560	MODEL TR515 Active Receiver for UTP transmission from 100 to 1,500 ft TR560 Active Receiver for UTP transmission from 100 to 6,000 ft (100 to 3,000 ft w/passive transmitters / 500 to 6,000 ft w/TT560 transmitter)
REVISION NUMBER 110403	

TR515 TR560



Description

Live video transmission for operation over twisted pair or Cat 5 cables.

Both the **TR515** and **TR560** are designed for operation over Category 2, 3, 4 or 5 twisted pair cable and require the use of a NITEK transmitter unit. The units work equally well over existing communication and computer network spare pairs, or new cable installations. Advanced receiver electronics provide complete immunity from ground loop, hum and noise to produce maximum video quality with virtually no loss. A dip switch on the unit provides precise adjustment of gain and frequency compensation, allowing the system to be "fine-tuned" for any cable. This unique feature provides easy adjustment for optimum performance over the entire operating range and also allows cable length to be estimated with a wide safety margin, when bidding CCTV twisted pair transmission jobs.

The TR515 and TR560 include the receiver and a power supply for the receiver. Complete systems including the receiver, transmitter and power supplies are available. For more information refer to the Ordering Information section of this sheet or call NITEK.

Features

- Active electronics compensate for frequency and level loss
- Built-in protection from power surge, transients, static or other electrical interference
- High resolution color or monochrome video
- Complete immunity to ground loop; video and AC can be run in a common raceway, where allowed
- Video can be run in the same cable with telephone and computer signals
- Weather resistant design
- Easy to install

Applications

- Elevators** - making traveling coax unnecessary
- High Rise Buildings** - between floors, through punch-down blocks
- Detention Facilities** - using existing communication wiring
- High Voltage Facilities** - high immunity to AC power interference
- Parking Garages** - where running coax is difficult to impossible
- Remote Gates** - can be run in same cable with audio and gate control

NITEK®

5410 Newport Drive, Suite 24 • Rolling Meadows, IL • 60008
 Phone: (800) 528-4343 • (847) 259-8900 • Fax: (847) 259-1300
 E-mail: info@nitek.net • Internet: www.nitek.net

TECHNICAL SPECIFICATION

Receiver Unit

Size	1.6"H x 4.3"W x 2.4"D
Power Requirements	12 to 24 VAC or VDC @ 30mA (wall transformer provided with unit)
Input	Balanced low voltage current loop
Output	1 Vpp composite video Monochrome or Color
Common Mode Rejection	>70dB
Video Format	RS170, NTSC, PAL, SECAM, CCIR (Color or B/W)
Operating Frequency	DC to 10 MHz

Recommended Transmission Distances

MODEL **TR515** (passive transmitter) up to 1,500 feet
 MODEL **TR560** (passive transmitter) up to 3,000 feet
 (active transmitter) up to 6,000 feet

Wire Size	26 to 12 AWG Unshielded Twisted Pair
UTP Category	Unshielded Category 2 or better
Temperature Range	-40 degrees C to +85 degrees C
Humidity Range	0 to 98%, non-condensing
Enclosure Material	Black ABS Flame Retardant Plastic
Twisted Pair Connection	Screw Terminals

Ordering Information

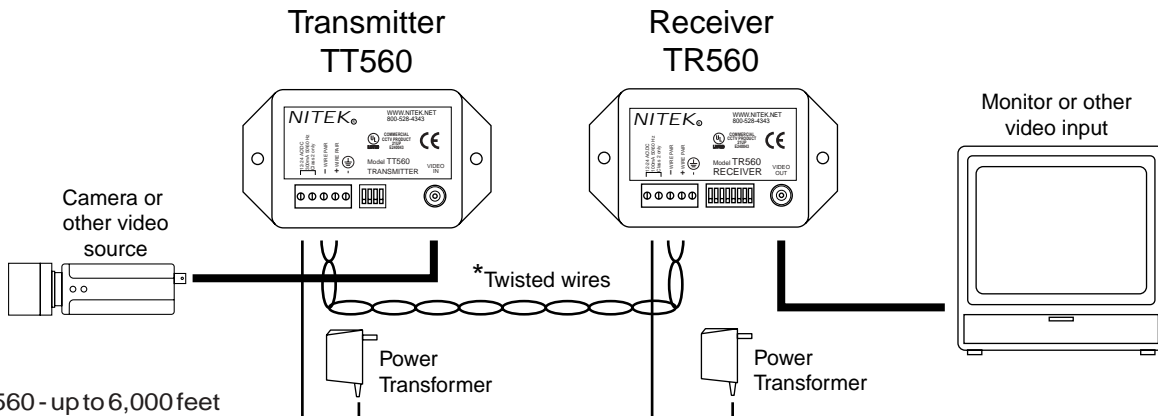
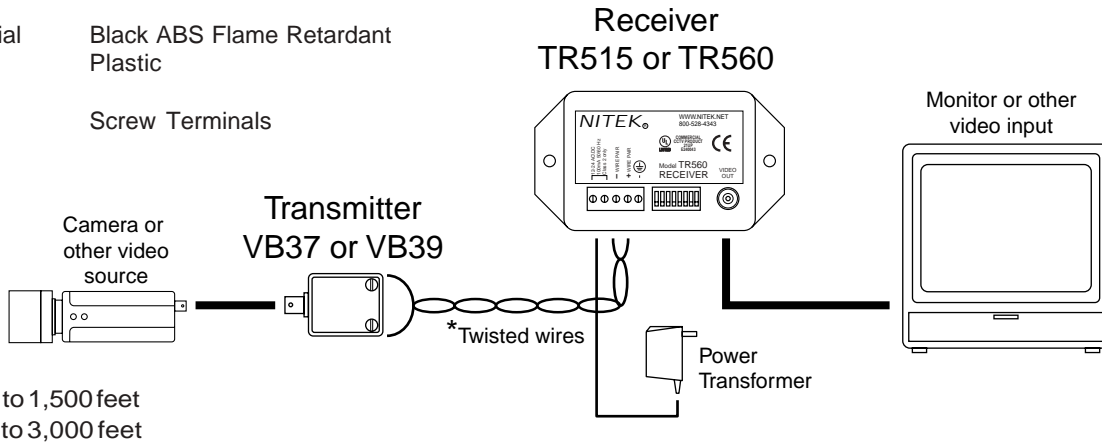
PART	RANGE IN FEET	SYSTEM INCLUDES
TR515	100 to 1,500	Receiver & Power Pack
TS515	100 to 1,500	VB37F, TR515 & Power Pack
TR560	100 to 6,000	Receiver & Power Pack
TS560	100 to 3,000	VB37F, TR560 & Power Pack
TT560	500 to 6,000	Transmitter & Power Pck
EX560	500 to 6,000	TT560, TR560 & (2) Power Packs

SYSTEM COMPONENTS

For more information on individual components listed above refer to respective specification sheets.

Wire and Cable Recommendations

Twisted Sender is recommended for use with **unshielded twisted pair** (UTP) wiring. The systems will operate over wire gauges from 26 AWG through 12 AWG but are optimized for 24 AWG. Category 2, 3, 4 or 5 cabl may be used. Individually shielded pairs should be avoided, as they drastically reduce the operating range of the systems. Multi-pair cable with an overall shield is acceptable. Video can be operated in the same communication cable coexistent with telephone, computer, control signals, power voltages and other video signals. While video may be routed through telephone punch down block terminals, any bridge-taps, also called T-taps and any resistive, capacitive or inductive devices **MUST BE** removed from the pair. For more specific information regarding wire types, gauges and proper installation techniques, please call 800-528-4343 for technical assistance. More information is also available on the CCTV System Design Guide Sheet.



Specifications subject to change without notice.

© Copyright 2003 Northern Information Technology, Inc.

Twisted Sender is a trademark of Northern Information Technology, Inc.