

# Quad Surveillance System

with 4 CCD Indoor/Outdoor cameras\*

## Add Video Security to any Home Entertainment System.

This complete quad surveillance system includes everything you need including 4 indoor/outdoor cameras, control unit and connection cables. The handheld remote gives you complete control to view cameras as full screen or picture-in-picture images.



Cameras

## FEATURES

- 4 indoor/outdoor CCD cameras. 2 Cameras with night vision illumination up to 16ft (5 m)\*, 2 Cameras without night vision.
- Remote control allows you to easily change viewing modes, activate freeze frame and zoom
- Motion Detection feature automatically displays camera images when activated
- Adjustable time sequencing period and auto sequence mode
- Supports various display modes: QUAD Split Mode, Full Screen Mode, PIP Screen Mode
- Easy connection to TV, VCR or Monitor with DIN to RCA adapter (included)
- Package Includes control unit, 4 cameras, Remote control, 4 - 65ft camera extension cables, power adapter & RCA cable



Control Unit



Remote Control



MULTI-CAMERA VIEWING

 **LOREX**

[www.lorexcctv.com](http://www.lorexcctv.com)

\* IR illumination range up to 16 ft. (5M) under ideal conditions. Objects at or beyond this range may be partially or completely obscured, depending on the camera application.

# Quad Surveillance System

## with 4 CCD Indoor/Outdoor cameras\*

### SPECIFICATIONS

#### CAMERA:

Image Sensor	1/4" Color CCD
LENS	3.6mm
Pixel	512 (H) x 492 (V) : NTSC
IR LED	11 LEDs with 1 CDS
Horizontal Synchronous Frequency	15.734 KHz (NTSC)
Vertical Synchronous Frequency	59.9 Hz (NTSC)
Horizontal Resolution	420 TV Lines
Minimum Illumination	1 LUX, F-1.2
S/N Ratio	> 48 dB
Auto Electronic Shutter Speed	1/60 - 1/15,000s
Video Output	1.0Vp-p, 75-ohm
Power Consumption	DC 12V
Consumption	180 mA
Operating Temp	-10°C~ 50°C

#### RECEIVER:

Video Format	NTSC/PAL Compatible
Camera Input	4 Pin Mini DIN x 4
Video Output	4 Pin Mini DIN x 1
Power Source	12VDC

### PACKAGE INFORMATION

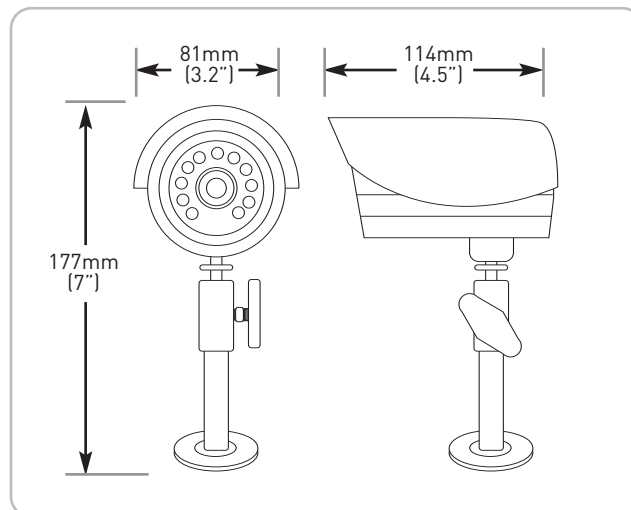
UPC: **SHS-4QM2:** 7-78597-00043-6  
**SHS-4QM22:** 7-78597-00044-3

Package Dimensions: **SHS-4QM2:** 13" x 12.2" x 5"  
 317mm x 311mm x 127mm  
**SHS-4QM22:** 19" x 15.5" x 7.5"  
 482mm x 394mm x 190mm

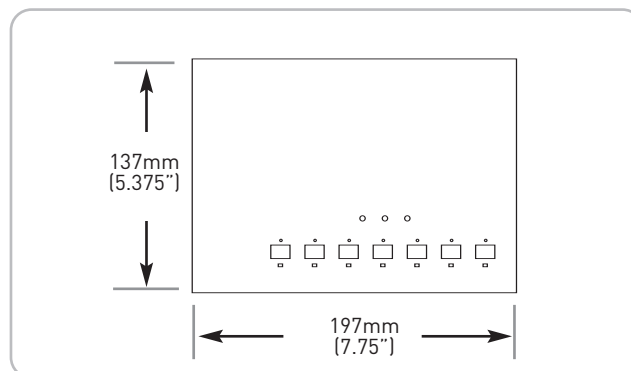
Package Weight: **SHS-4QM2:** 9.15 lbs / 4.15 kgs  
**SHS-4QM22:** 10.9 lbs / 4.96 kgs

### DIMENSIONS

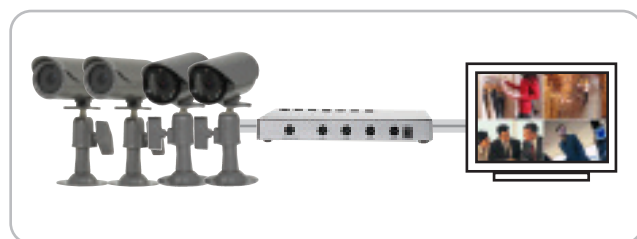
#### CAMERA:



#### CONTROL UNIT:



#### CONNECTION:



### LOREX TECHNOLOGY INC.

300 Alden Road, Markham,  
 Ontario L3R 4C1  
 Canada

3700 Koppers Street, Suite 504  
 Baltimore, Maryland 21227,  
 USA

©2007 Lorex Technology Inc.  
 As our product is subject to continuous improvement, Lorex Technology & subsidiaries reserve the right to modify product design, specifications & prices without notice and without incurring any obligation. E&OE

3-18072007