

REMOTE VIEW

PC Internet
Monitoring

4 PORT PCI CARD

DIGITAL VIDEO RECORDER



Lorex QLR0440 is a cost effective PC based video capture card that integrates high quality video recording with an easy to use graphical user interface. It is suitable for entry to mid level applications where local and remote internet viewing is desired.



FEATURES

- 4 channel (camera) triplex DVR PC card solution (view, record, playback simultaneously)
- Local and Remote internet Monitoring Capability
- Digital Recording of live video to PC's hard drive
- View up to four locations simultaneously
- Compatible with Windows operating system
- Remote viewing options: Quad / Full Screen / Sequencing
- Individual selection of security alarm features
- Digital freeze and zoom-in
- Easy search and playback of digitally recorded video
- Password security protection



QLR0440

www.lorexcctv.com

REMOTE VIEW

PC Internet
Monitoring

4 PORT PCI CARD

DIGITAL VIDEO RECORDER

SPECIFICATIONS:

Video Input:	4 ch (RCA), NTSC/PAL
Display Speed:	30fps (4ch)
Split Screen:	1, 4
Recording Speed:	30fps (4ch) @ 320 x 240
Resolution:	320 x 240 / 640 x 480
Recording Modes:	Motion Detection, Schedule, Continuous
Playback Display:	1, 4
Search Modes:	Date, Time, Channel, Event
Network Transmission Speed:	Real-Time
Remote View:	Via client software
Dynamic IP Support:	Yes
Supported O/S:	Windows 2000, XP, Vista

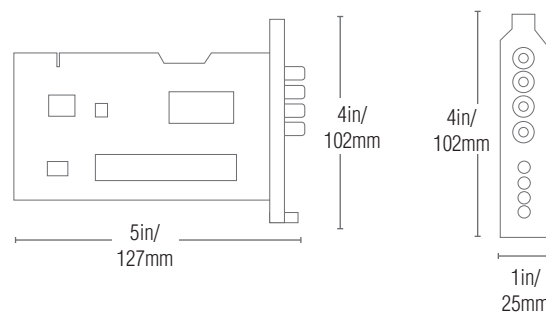
MINIMUM SYSTEM REQUIREMENTS:

- Pentium III or higher processor
- Microsoft Windows operating system
- Optical drive
- 256 Mb RAM
- Separate video card with 64MB minimum
(broadband connection required for remote connection)

Suitable for a variety of security surveillance applications:

- **Residential:**
digitally record from cameras positioned at the front door, garage, driveway or pool – with the ability to view locally or remotely.
- **Manufacturing:**
monitor and digitally record mechanical processes, or use for security purposes.
- **Multiple business owner:** cost effective solution for viewing multiple locations from a remote computer.

DIMENSIONS:



PRODUCT INFORMATION:

Weight:	1 lbs /453 grams
Package Dimensions:	11.25 X 9" X 2" / 286mm X 229mm X 21mm (W x H x D)
UPC:	778597004403
Package Cube:	0.003 CBM / 1.05 ft
Includes:	PCI card and mounting screws, Power cable and connector bundle, QSG Serialized Application CD, Warranty card

Lorex Technology Inc.

300 Alden Road, Markham,
Ontario L3R 4C1
Canada.

3700 Koppers Street, Suite 504
Baltimore, Maryland 21227,
USA.

©2007 Lorex Technology Inc.

As our product is subject to continuous improvement, Lorex Technology & subsidiaries reserve the right to modify product design, specifications & prices without notice and without incurring any obligation. E&OE