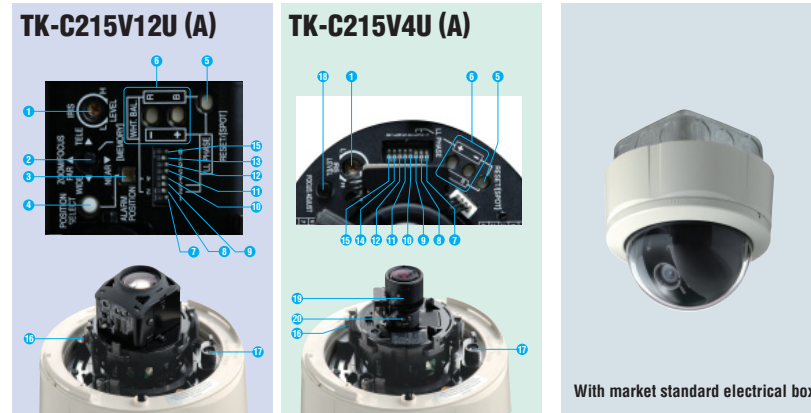


Specifications

	TK-C215V12U (A)	TK-C215V4U (A)
Camera		
Signal system	NTSC	NTSC
Image device	1/4" IT CCD	1/4" IT CCD
Number of effective pixels	380,000	380,000
Pick-up area	3.6 mm (H) × 2.7 mm (V)	3.6 mm (H) × 2.7 mm (V)
Scanning system	15.734 kHz (H), 59.94 Hz (V)	15.734 kHz (H), 59.94 Hz (V)
Sync system	Internal, Line lock	Internal, Line lock
Video output	Composite video signal: 1.0 V (p-p), 75 ohms (BNC)	Composite video signal: 1.0 V (p-p), 75 ohms (BNC)
Horizontal resolution (typ.)	540 TV lines	540 TV lines
Video S/N ratio	50 dB	50 dB
Minimum illumination (typ.)		
Color mode	1.0 lx F1.6, AGC on	0.75 lx F1.3, AGC on
B&W mode	0.6 lx F1.6, AGC on	0.4 lx F1.3, AGC on
AGC	on/off	on/off
Backlight compensation	on (1pattern)/off	on (1pattern)/off
White balance	ATW/Manual	ATW/Manual
Easy day/night	Yes	Yes
Focus adjust	Yes	Yes
LENS		
Focal length	f = 3.8 mm to 45.6 mm, 12x vari-focal	f = 2.8 mm to 10 mm, 3.6x vari-focal
Max aperture ratio	F1.6 to F2.7	F1.3 to F3.0
Iris	DC iris	DC iris
Field of View	52° (H) × 39° (V) to 4.5° (H) × 3.4° (V)	73° (H) × 54° (V) to 20° (H) × 15° (V)
Angle adjustment range (Horizontal/Vertical/Rotation)	350° / ± 80° / ± 175°	350° / ± 80° / ± 175°
GENERAL		
Power supply	AC 24V (60Hz), DC 12V	AC 24V (60Hz), DC 12V
Power consumption	6.6 W	4.2 W
Operating temperature < Recommended >	14°F to 122°F (−10 °C to 50 °C) <32°F to 104°F (0 °C to 40 °C) >	14°F to 122°F (−10 °C to 50 °C) <32°F to 104°F (0 °C to 40 °C) >
Dimensions	ø 6-1/8 inches x 4-7/8 inches (156 mm × 123 mm (H))	ø 6-1/8 inches x 4-7/8 inches (156 mm × 123 mm (H))
Weight	1.54 lbs. (700 g)	1.43 lbs. (650 g)

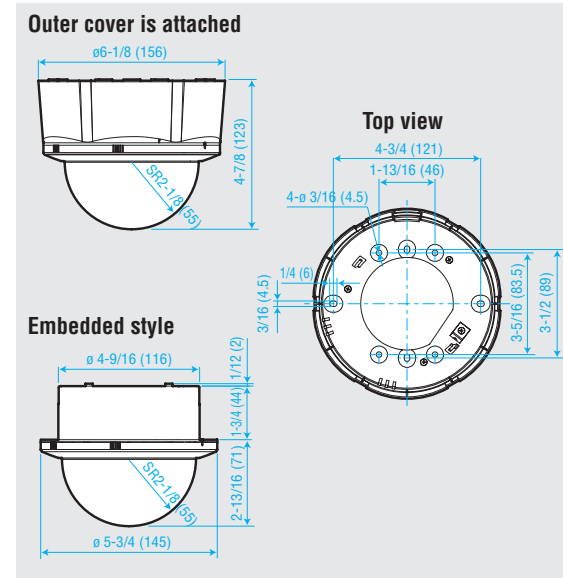
Controls, connectors and indicators



- ① [IRIS LEVEL] Iris level adjustment ② [ZOOM/FOCUS, MEMORY] Zoom/Focus adjustment switches, position memory button
 ③ [ALARM POSITION] Status indication LED ④ [POSITION SELECT] Position select button ⑤ [RESET/SPOT] Reset/Spot button
 ⑥ [R/B, +/-] R/B, +/- adjustment button ⑦ [AGC] Auto gain control switch ⑧ [SELECT] WHT.BAL./PHASE setting switch
 ⑨ [SYNC] Synchronization system selection switch ⑩ [WHT.BAL.] ATW/Manual selection switch ⑪ [BLC] Backlight compensation switch ⑫ [DAY/NIGHT] Easy day/night switch ⑬ [ALARM] Alarm input mode selection switch ⑭ [RESERVED] Not used (set to off) ⑮ [RESET/SPOT] Reset/Spot correction selection switch ⑯ Tilt lock screw ⑰ [FOCUS ADJ.] Focus adjustment switch ⑱ Focus adjustment ring ⑳ Zoom adjustment ring

Dimensions

Unit: inches (mm)



Design and specifications subject to change without notice.



■ Hachioji Business Centre of Victor Company of Japan, Ltd. has received ISO14001 Certification for environmental management and ISO9001 Certification for quality assurance management.

JVC®

The Perfect Experience

540TVL Easy Day/Night Three-Way-Dome Series

FIXED COLOR DOME CAMERA

TK-C215 series

TK-C215V12U(A) 12x variable focal lens

TK-C215V4U(A) 4x variable focal lens



- 1/4" IT CCD with 380,000 effective pixels
- 540 TV lines of horizontal resolution
- Super LoLux™ sensitivity
TK-C215V12U (A): 1.0 lx (color), 0.6 lx (B&W)
TK-C215V4U (A): 0.75 lx (color), 0.4 lx (B&W)
- Easy day/night function
- Alarm zoom function (TK-C215V12U (A))
- Triple axis rotation system for wide lens adjustment:
horizontal: 350°, vertical: ±80°, rotation: ±175°

- Easy to install. The camera housing is compatible with a standard electrical junction box for flush mount.
- Full featured security camera
 - Easy focus adjustment
 - Monitor video output (RCA)
 - Automatic gain control on/off (max.26 dB)
 - Auto tracking white balance (ATW) and manual modes 2,300K to 10,000K
 - Backlight compensation on/off
 - Sync systems INT/Line lock
 - AC 24V/DC 12V power supply

JVC®

DISTRIBUTED BY

JVC's new high-performance dome camera is capable of inconspicuously carrying out surveillance at airports, stores, factories and building exits/entrances. Equipped with JVC's latest technology, this all-in-one camera solution provides outstanding image performance with 540 TV lines of horizontal resolution, as well as employs a new easy-to-install mechanism for plug and play setup. As a full-spec camera, the TK-C215 series dome camera comes with a complete array of high-performance features.

540 resolution: The highest in the industry

The TK-C215 series comes with a 1/4" Interline Transfer CCD with 380,000 effective pixels for accurate color reproduction and signal-to-noise ratio of 50 dB (AGC off). This outstanding image performance provides users with a new realm of surveillance.

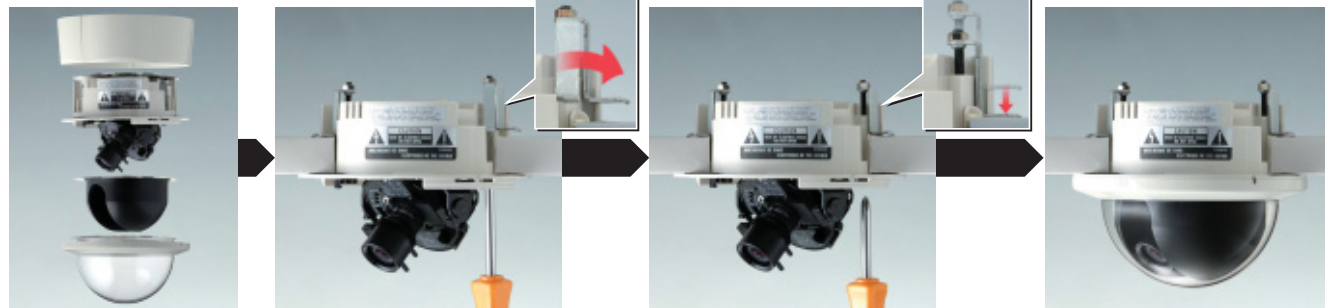


Simple and flexible installation

With self-contained L-shaped mounting brackets, flush installations of the TK-C215 series couldn't be easier. No extra brackets are required. With this new method, installation can be completed in nearly one-fifth the time of our conventional surveillance cameras. Moreover, surface mounting is possible, too.

Easy flush mount

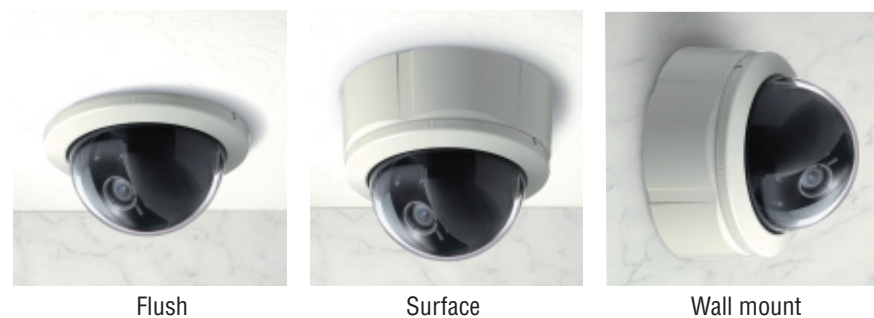
Drill a hole 120 mm in diameter in the ceiling.



1. Remove the camera's outer cover and ceiling panel.
2. Once the camera has been inserted into the hole drilled in the ceiling, push in the screws and rotate them 90° clockwise.
3. After removing the screwdriver, the springs attached to the screws will stretch and the camera can be firmly secured to the ceiling. **Note:** This must be carried out for all three screws.
4. Mount the ceiling panel to complete installation.

3 Ways flexibility of installation

No additional mounting hardware is required for flush mounting on a ceiling. Wall mounting is even possible thanks to the TK-C215's triple axis rotation system. Furtherwre, use 6 inch electrical box, it's possible to directly install on ceiling.



Choose from the following two models to meet your specific needs

TK-C215V12U (A)

High resolution 540 TV lines
Vari-lens 12 times

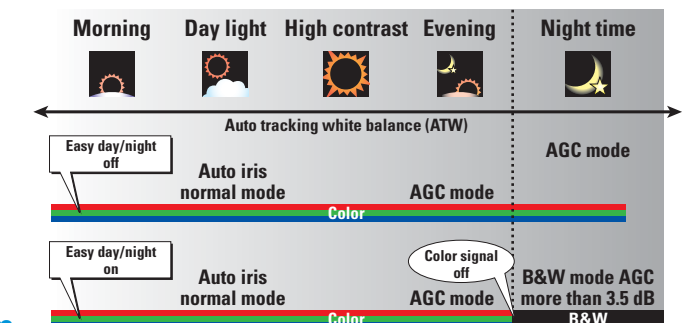
This is a digitally magnified sample image at the tele angle position. The 12x optical zoom lens will actually provide clear and crisp image in 540 TV lines.

TK-C215V4U (A)

High resolution 540 TV lines
Vari-lens 4 times

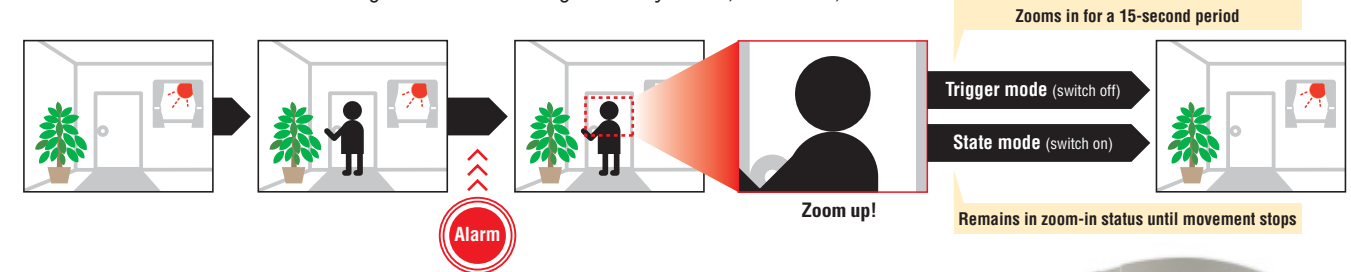
Easy day/night function

The TK-C215 series automatically use color mode when the object is bright, and B&W mode when it is very dark. In B&W mode, AGC remains active to ensure high performance even under low-light conditions. Easy day/night function assures around-the-clock optimum imaging performance.



Alarm zoom function using optical zoom (TK-C215V12U (A) only)

The TK-C215V12U (A) comes with a 12x lens and an alarm input interface. When an object appears in the field of view, an alarm signal is activated from the alarm sensor installed and the camera engages to automatically zoom into the center of the image. Once the object has left the field of view and the alarm signal is deactivated, the camera automatically returns back to its original position. This function makes this camera ideal for ensuring identification at high security doors, entrances, and exits.



Triple axis rotation system for wide lens adjustment

The TK-C215's lens angle can be freely adjusted within the following range: 350° (horizontal), ±80° (vertical) and ±175° (rotation). Since images do not appear inverted even when the lens angle is set at a rotation of ±175°, the camera can be installed virtually anywhere. Thanks to this outstanding lens angle adjustment mechanism, surveillance image quality will not be compromised regardless of where the dome camera is installed.

