

# BTPay 200™

*Bluetooth Payment Terminal w/MagStripe, Chip and PIN*

## Secure Payment Terminal for Mobile Phones

The ID TECH BTPay 200 is a secure payment terminal with an integrated MagStripe reader, smart card reader, and PIN pad that connects to mobile devices and PCs via Bluetooth. The BTPay 200 is a PCI 3.x certified and EMV Level 2 certified payment terminal that provides safe and secure transactions.

## Easy to Integrate

The ID TECH BTPay 200 is compatible with Apple, and Android mobile devices, and can also connect to PCs via USB. The SDK allows developers to easily create mobile apps to communicate with the terminal. With compatible apps, the BTPay 200 provides merchants the flexibility to accept both MagStripe and Chip & PIN payments anywhere at any time.

## Incredible Convenience

The ID TECH BTPay 200 allows merchants to provide their customers with the convenience of a mobile method of payment. With the capability to read MagStripe cards and smart cards, merchants can take a variety of payment methods and save money by avoiding costly card-not-present fees. With the ID TECH BTPay 200, merchants can accept card payments wherever they go.

## Features and Benefits:

- MagStripe and Chip Card reading & PIN entry for mobile devices
- EMV Level 2 Certified
- PCI-PTS 3.x Certified with SRED function supported
- DES and TDES encryption algorithms for PIN encryption
- AES, DES, and TDES encryption algorithms for MagStripe data encryption
- DUKPT Key Management
- Supports encrypted manual card data entry
- 4 Lines X 20 characters backlit LCD



# BTPay 200™

## Specifications IDMR-PBT81133TEB

### Electrical

Interfaces: Bluetooth  
USB-HID

### Environmental

Operating Temperature: 32°F to 131°F (0°C to 55°C)  
Storage Temperature: -22°F to 158°F (-30°C to 70°C)  
Humidity: Maximum 95% non-condensing, dry storage

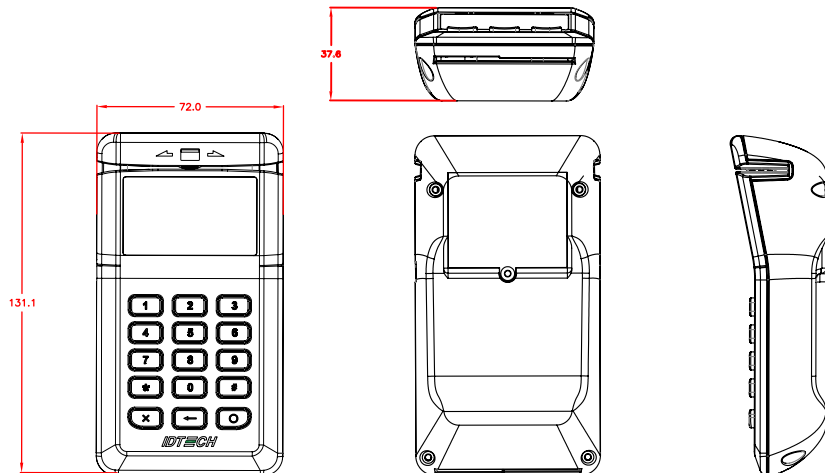
### Reliability

Operating Life: MagStripe Reader: 300,000 card swipes minimum  
Smart Card Reader: 100,000 card cycles minimum  
PIN Pad: 1,000,000 keystrokes minimum  
Warranty: One year, parts and labor  
Approvals: EMV Level 1 & 2, PCI 3.x with SRED function supported, ROHS, FCC/CE

### Mechanical

Dimension (L)x(W)x(H): 5.20 inches (132mm) x 2.83 inches (72mm) x 1.46 inches (37mm)  
Media Thickness: 0.027 inches (0.6858mm) minimum  
0.033 inches (0.8382mm) maximum  
Card Seated Switch: ICC fully-seated sensor  
Color: Black  
Display: 4 lines X 20 characters backlit LCD  
Keypad: Hard rubber & color-coded ANSI X9.8 recommended layout

Footprint:



### United States Sales Office

**Corporate Headquarters**  
10721 Walker Street  
Cypress, CA 90630  
Phone: (714) 761-6368  
Toll Free: (800) 984-1010  
Fax: (714) 761-8880  
sales@idtechproducts.com

### International Sales Offices

**Asia**  
+866-3-496-6988 (Taiwan)  
asia@idtechproducts.com.tw

**Canada**  
+450-465-5261  
robertop@idtechproducts.com

**South America**  
+55-11-3079-2255  
internationalsales@idtechproducts.com

**Europe**  
Germany & United Kingdom  
emea@idtechproducts.com

**ISO 9001 Certified**



Value through Innovation

www.idtechproducts.com