



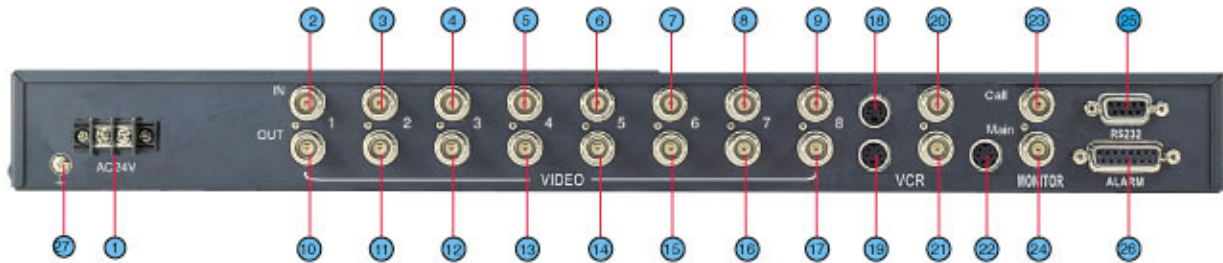
EverPlex 8CDX

8 Channel Color Duplex Multiplexer

Using the newly developed memory control technology and digital process circuits design, EverPlex 8CDX features with the real time video display for multiscreen, dual page quad, single quad and a full screen monitoring. S-VHS outputs, IR remote control, multi direction motion detection, and 4x Zoom functions enhance the power of video multiplexing. EverPlex 8CDX brings your surveillance system to a new digital world.

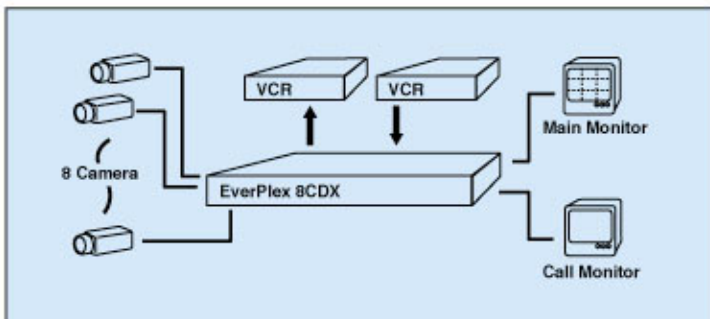
EverPlex 8CDX

8 Channel Color Duplex Multiplexer



Back Panel Function:

- ① Connect to the AC24V power supply
- ②-⑧ Connect camera input to the video in BNC connector
- ⑩-⑯ Connect other video device to the video out BNC connector
- ⑰ Connect VCR output to the VCR in S-VIDEO connector
- ⑱ Connect VCR input to the VCR out S-VIDEO connector
- ⑳ Connect VCR output to the VCR in BNC connector
- ㉑ Connect VCR input to the VCR out BNC connector
- ㉒ Connect to a monitor TV for the main display, S-Video connector
- ㉓ Connect to a monitor TV for the alarm display, BNC connector
- ㉔ Connect to a monitor TV for the main display, BNC connector
- ㉕ Connect D-Sub 9 pins connector to RS232 ports for remote control
- ㉖ Connect D-Sub 15 pins connector for alarm connector
- ㉗ Ground connection



Features:

- Full capability duplex multiplexer allows to record and playback the video inputs simultaneously via 2 VCRs
- Full screen, 4, 4 + 4 and 9 multiscreen real time monitoring
- Spot monitoring and single sequence monitoring are available
- Priority camera multiplexing and video loss detection on all channels
- S-VHS output to Monitor; S-VHS input/output to VCR
- Simultaneous digital video motion detection using a 192-target graphic overlay
- Nonvolatile program memory protects all programmable features against power loss

Specifications:

Model No.	EP8CDX	
Video Format	NTSC	PAL
Display Format	1, 4, 4+4, 9	
Video input:	8 cameras inputs with loop through, 1Vp-p/75ohm, 1 VCR input, 1Vp-p/75ohm 1 S-Video VCR input, 1Vp-p/75ohm	
Video output:	8 video outputs, 1 Vp-p/75 ohm	
Monitor output:	2 monitor outputs: Main Monitor, Call Monitor	
Recording output	Multiplexed video output, 1 Vp-p/75 ohm; 1 S-Video VCR output, 1Vp-p/75ohm	
Refresh rate:	60 fields/sec.	50 fields/sec.
Resolution:	720 x 480	720 x 576
VCR Playback:	Yes	
Playback zoom:	Yes	
Video freeze:	Yes	
Video loss detection:	Yes	
Motion detection	192-target per camera	
Time-lapse record:	Selectable time-lapse recording mode	
Dynamic recording priority	Yes	
Alarm input:	8 alarm inputs and 1 alarm reset input	
Alarm output:	1 Normally open, 1 Normally closed relay output	
Title:	10 characters title generator for each camera input	
Timer:	Built-in real time clock	
Setup:	On screen setup	
Switching:	Programmable auto sequential switch and adjustable dwelling time (1-99 sec)	
Key lock:	Yes	
Remote control:	D-Sub 9 pin / RS232	
IR remote control:	Yes	
Power source:	AC24V	
Power consumption:	17W max	
Dimension:	438 x 262 x 44 mm	
Weight:	5Kg.	
Operating temperature:	0°C to +50°C	