

EverFocus[®]



EQ350HQ

* Shown with optional lens



EI350HQ



ED350HQ



EHD350HQ



EZ350HQ

520
TVL

EverFocus New 350HQ series cameras

1/3" Superior High-Resolution(520TVL) CCD Cameras



The New EverFocus 350HQ series camera incorporates advanced PureVision technology, which automatically adjusts camera parameters to ensure sharp crystal clear pictures.

The 350HQ series uses a 1/3" Sony CCD image sensor to produce superior high-resolution (520 TVL) color images. The PureVision technology seamlessly increases the Auto Gain Control (AGC) when light levels fall further increasing the camera's sensitivity. PureVision technology and the 350HQ series are the logical next step in intelligent video surveillance systems.

Wide Variety of Applications for Security Surveillance



Hospitals/Hotels

Offices/Casinos

Classrooms/Restaurants

Banks

Department Stores

Elevators

EQ350HQ



1/3" 520TVL High-Res. Digital Color Camera

Features

- Industry leading Superior High-Res. with 520 TV lines of horizontal resolution
- Revolutionary integrated 10-bit Digital Signal Processor (DSP) delivers excellent picture quality and performance
- 1/3" CCD image sensor with approx. 440,000 pixels
- Low Light sensitivity 0.5lux/F=1.2(AGC ON) is achieved by using the advanced 1/3 inch interline transfer color CCD
- Sharper color images with digital signal processing
- Intelligent backlight compensation
- Wide range automatic electronic shutter: up to 1/100,000
- Auto line lock with external phase adjustment
- Used with either C-mount or CS-mount lenses and easy back-focus adjustment
- Smart FL mode for Fluorescent light or 1/100 sec (NTSC)

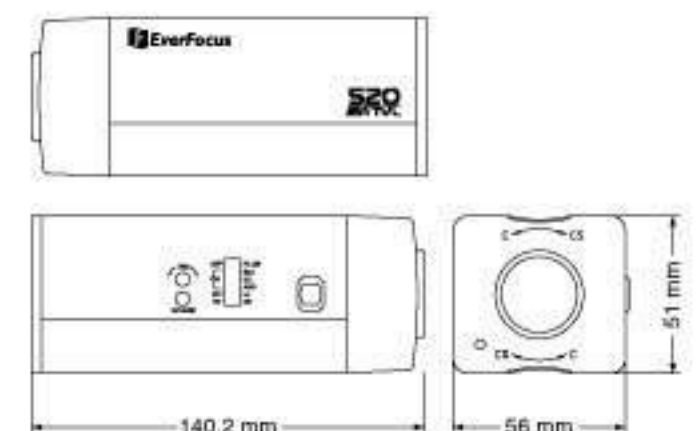
Specification

Pickup device	1/3" interline transfer color CCD	Auto IRIS	Video Drive or Direct Drive switchable
Video format	NTSC/PAL	Gamma correction	>0.45
Picture element	NTSC: 768(H) x 494(V) PAL: 752(H) x 582(V)	Sync. Mode	1. Line-Locked with LL on 2. Internal Sync. with LL off
Horizontal resolution	520TV lines	Lens optional	1/3" DC/VD Iris, Aspherical 2.8mm- 12mm/F=1.4
Video output	BNC VBS 1.0Vp-p, 75ohm	Lens mount	C/CS mount back focus adjustment
Sensitivity	0.5lux/F=1.3; 1.43lux/F=1.6, 50IRE	Power Source	12VDC/24VAC; 90~265VAC
S/N ration	Over 48dB	Dimension	51(W)x57(H)x140.2(D)mm; 2(W)x2.25(H)x5.52(D)inches
Electronic shutter	1/50~1/60 up to 100,000	Operating temperature	0°C~50°C, 20%~80%
Back light comp.	ON/OFF switch	Power consumption	5W max.
Auto Gain Control	ON/OFF switch		
Auto White Balance	Digital auto tracing		
Fluorescent	ON/OFF switch		
Line Lock	ON/OFF switch		



* shown w/optional 3.5-8mm vari-focal/auto iris lens

Dimension:



EI350HQ



1/3" 520TVL High-Res. Lens Integrated Digital Color Camera

Features

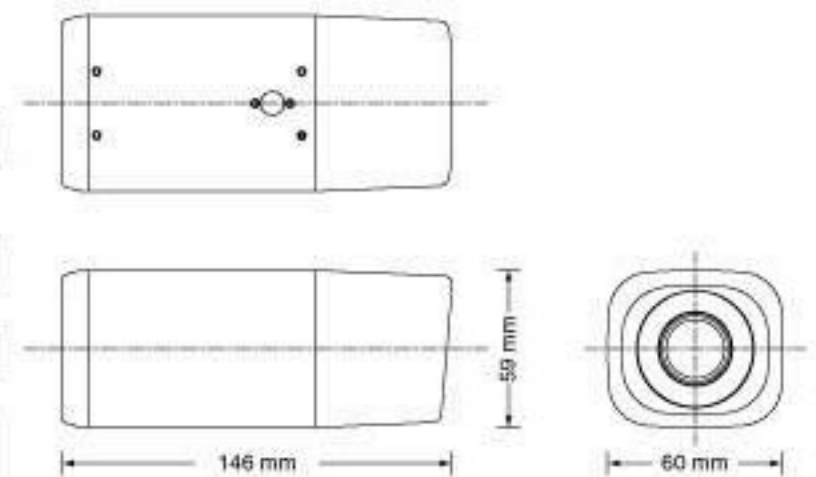
- Industry leading Superior High-Res. with 520 TV lines of horizontal resolution
- Revolutionary integrated 10-bit Digital Signal Processor (DSP) delivers excellent picture quality and performance
- 1/3" CCD image sensor with approx. 440,000 pixels
- Low Light sensitivity 0.5lux/F=1.2(AGC ON) is achieved by using the advanced 1/3 inch interline transfer color CCD
- Sharper color images with digital signal processing
- Intelligent backlight compensation
- Wide range automatic electronic shutter: up to 1/100,000
- Built in Aspherical Vari-focal lens and Mounting bracket

Specification

Pickup device	1/3" interline transfer color CCD	Sync. Mode	Internal Sync.
Video format	NTSC/PAL	Aspherical Lens	V1: Vari-focal f=3.8mm~9.5mm/F=1.2 V2: Vari-focal f=3.7mm~12mm/F=1.6
Picture element	NTSC: 768(H) x 494(V) PAL: 752(H) x 582(V)	Power Source	12VDC/24VAC
Horizontal resolution	520TV lines	Dimension	66(W)x59(H)x146(D)mm; 2.56(W)x2.3(H)x5.7(D)inches
Video output	BNCVBS 1.0Vp-p, 75ohm	Operating temperature	0°C~40°C, 20%~80%
Sensitivity	0.5lux/F=1.2; 1.43lux/F=1.6, 50IRE	Power consumption	5W max.
S/N ration	Over 48dB	Mounting bracket dimension	Aluminum, 155(H)x45(O.D); Max. load 3kgs
Electronic shutter	1/50~1/60 up to 100,000	Service Kit	Camera x 1 pcs, Vari-focal lens F=3.5~8mm x 1 pcs, Mounting bracket x 1 pcs
Flickerlss	ON/OFF switch		
Line Lock	ON/OFF switch		
Back light comp.	ON/OFF switch		
Auto Gain Control	ON/OFF switch		
Auto White Balance	Yes		
Gamma correction	>0.45		



Dimension:



ED350HQ



1/3" 520TVL High-Res. Dome Digital Color Camera

Features

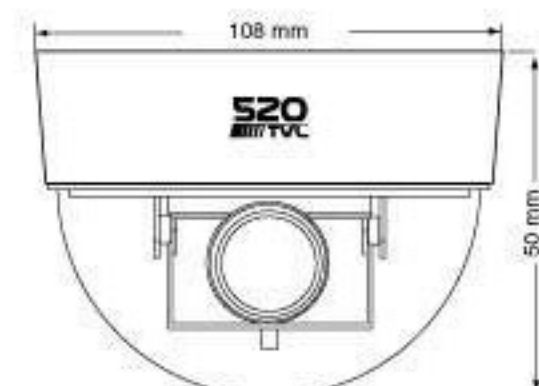
- Industry leading Superior High-Res. with 520 TV lines of horizontal resolution
- Revolutionary integrated 10-bit Digital Signal Processor (DSP) delivers excellent picture quality and performance
- 1/3" CCD image sensor with approx. 440,000 picture elements
- Low Light sensitivity 0.5lux/F=1.2(AGC ON) is achieved by using the advanced 1/3 inch interline transfer color CCD
- Sharper color images with digital signal processing
- Intelligent backlight compensation
- Wide range automatic electronic shutter: up to 1/100,000
- Built in Aspherical Vari-focal type, auto iris lens
- With manual PAN/TILT mechanism
- Able to adjust the viewing range with manual zomm lens.

Specification

Pickup device	1/3" interline transfer color CCD	Auto White Balance	Yes
Video format	NTSC/PAL	Gamma correction	>0.45
Picture element	NTSC: 768(H) x 494(V) PAL: 752(H) x 582(V)	Aspherical Lens	V1: Vari-focal f=3.8mm~9.5mm/F=1.2 V2: Vari-focal f=3.7mm~12mm/F=1.6
Horizontal resolution	520TV lines	Power Source	12VDC
Video output	BNCVBS 1.0Vp-p, 75ohm	IRIS level	Adjustable
Sensitivity	0.5lux/F=1.2; 1.43lux/F=1.6, 50IRE	Dimension	108(O.D)x 80(D)mm; 4.2(O.D.)x3.1(D)inches
S/N ration	Over 48dB	Operating temperature	0°C~40°C, 20%~80%
Electronic shutter	1/50~1/60 up to 100,000	Power consumption	5W max.
Flickerlss	ON/OFF switch		
Line Lock	ON/OFF switch		
Back light comp.	ON/OFF switch		
Auto Gain Control	ON/OFF switch		



Dimension:



EHD350HQ



1/3" 520TVL High-Res. Rugged Dome WeatherProof Color Camera

Features

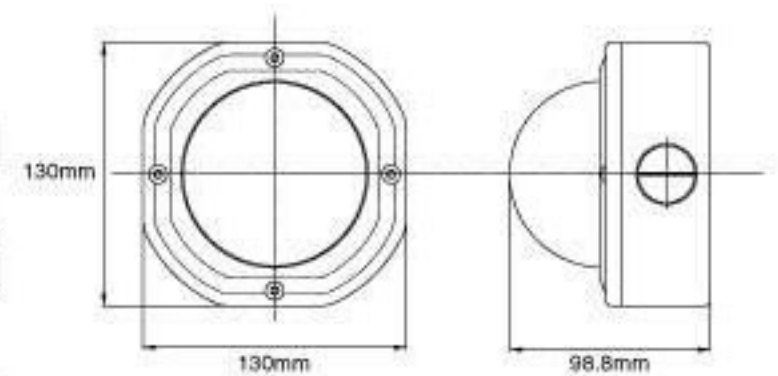
- Industry leading Superior High-Res. with 520TV lines of horizontal resolution
- Revolutionary integrated 10-bit Digital Signal Processor (DSP) delivers excellent picture quality and performance
- 1/3" CCD image sensor with approx. 440,000 pixels
- Low Light sensitivity 0.5lux/F=1.2(AGC ON) is achieved by using the advanced 1/3 inch interline transfer color CCD
- Sharper color images with digital signal processing
- Intelligent backlight compensation
- Wide range automatic electronic shutter: up to 1/100,000
- DC12V or AC24V switches automatically power supply; Line Lock for AC24V
- Built-in Micro switch for Alarm trigger
- Built-in Aspherical Vari-focal lens
- Polycarbonate shell withstand the impact of a 10 pounds sledgehammer, smoke color or clear as option
- Unique security screw locked
- Operating temperature -40 ~+50°C
- Heater triggered when temperature falls to less than 10°C

Specification

Pickup device	1/3" interline transfer color CCD	Gamma correction	>0.45
Video format	NTSC/PAL	Lens	V1: Vari-focal f=3.8mm~9.5mm/F=1.3 (Aspherical) V2: Vari-focal f=3.7mm~12mm/F=1.6 (Aspherical) V3: Vari-focal f=9mm~22mm/F=1.6
Picture element	NTSC: 768(H) x 494(V) PAL: 752(H) x 582(V)	Power Source	12VDC/24VAC
Horizontal resolution	520TV lines	Dimension	130(W)x98.8(H)x130(D)mm; 5.1(W)x3.87(H)x5.1(D)inches
Video output	BNCVBS 1.0Vp-p, 75ohm	Operating temperature	-40°C~50°C, 20%~80%
Sensitivity	0.5lux/F=1.2; 1.43lux/F=1.6, 50IRE	Power consumption	5W max. 15W max: when heater is active
S/N ration	Over 48dB	Weatherproof ratings	IP66
Electronic shutter	1/50~1/60 up to 1/100,000	Vandal Proof	Polycarbonate shell can withstand the impact of a 10 pound sledgehammer
Flicker/Iss	ON/OFF switch		
Line Lock	ON/OFF switch		
Back light comp.	ON/OFF switch		
Auto Gain Control	ON/OFF switch		
Auto White Balance	Yes		
IRIS	Auto		



Dimension:



EZ350HQ



1/3" 520TVL High-Res. Weatherproof Digital Color Camera

Features

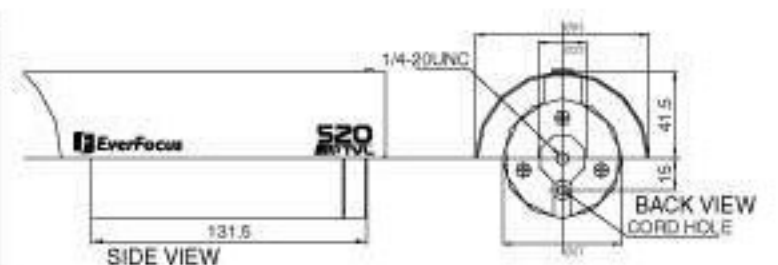
- Industry leading Superior High-Res. with 520TV lines of horizontal resolution
- Revolutionary integrated 10-bit Digital Signal Processor (DSP) delivers excellent picture quality and performance
- 1/3" CCD image sensor with approx. 440,000 picture elements
- Low Light sensitivity 0.5lux/F=1.2(AGC ON) is achieved by using the advanced 1/3 inch interline transfer color CCD
- Sharper color images with digital signal processing
- Intelligent backlight compensation
- Wide range automatic electronic shutter: up to 1/100,000
- Built-in Aspherical vari-focal lens for versatile application
- Designed with sturdy aluminum shell specifically for outdoor surveillance
- Removable sun shield
- The heater allows the camera to be used in extremely low temperature to -40°C

Specification

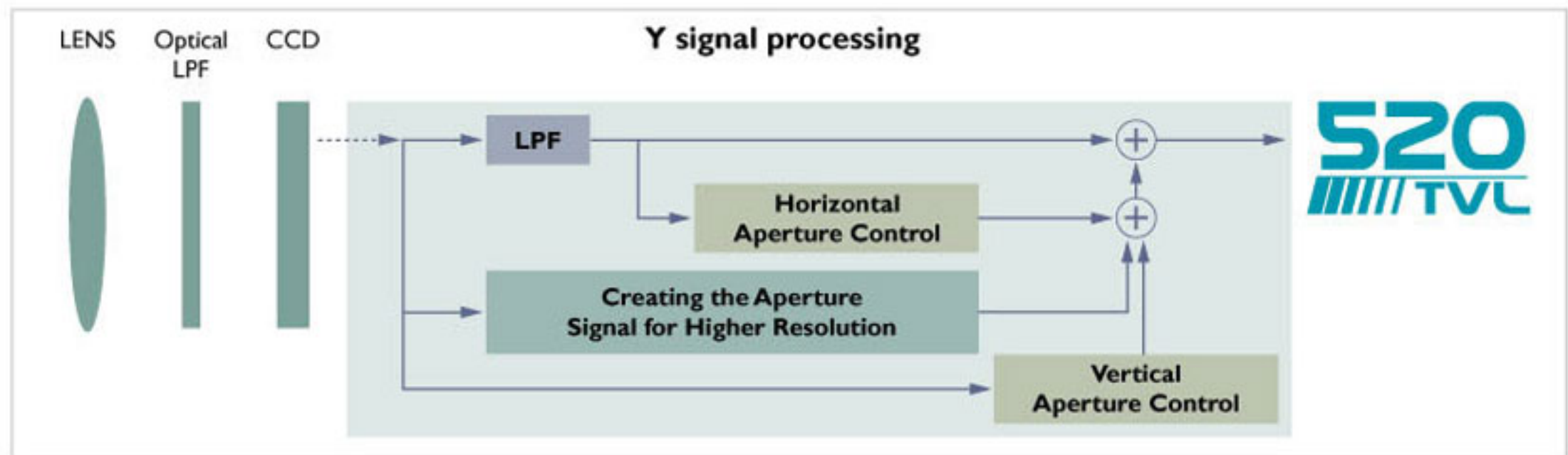
Pickup device	1/3" interline transfer color CCD	Lens	V1: Vari-focal f=3.8mm~9.5mm/F=1.3 (Aspherical) V2: Vari-focal f=3.7mm~12mm/F=1.6 (Aspherical) V3: Vari-focal f=9mm~22mm/F=1.6
Video format	NTSC/PAL	Power Source	12VDC/24VAC
Picture element	NTSC: 768(H) x 494(V) PAL: 752(H) x 582(V)	Dimension	83(W)x70(H)x172(D)mm; 3.3(W)x2.8(H)x6.8(D)inches (with sun shield) 132(L)x57(D)mm; 5.2(L)x2.2(D)inches (without sun shield)
Horizontal resolution	520TV lines	Operating temperature	-40°C~50°C, 20%~80%
Video output	BNCVBS 1.0Vp-p, 75ohm	Power consumption	5W max.; 15W max when heater is active
Sensitivity	0.5lux/F=1.2; 1.43lux/F=1.6, 50IRE	Weatherproof ratings	IP66
S/N ration	Over 48dB		
Electronic shutter	1/50~1/60 up to 1/100,000		
Flicker/Iss	ON/OFF switch		
Line Lock	ON/OFF switch		
Back light comp.	ON/OFF switch		
Auto Gain Control	ON/OFF switch		
Auto White Balance	Digital auto tracing		
Gamma correction	>0.45		
Sync. Mode	Internal Sync.		



Dimension:



Superior High-resolution PureVision Signal Processing



The innovative imaging circuitry of the PureVision 350HQ series camera achieves 520 Horizontal TV lines – as much as 40 lines more than the conventional high-resolution cameras. The PureVision technology of video-signal processing releases the capability for high-resolution image capture applications.

Exceptional Color Reproduction

The 350HQ series incorporates Sony's new Digital Signal Processor (DSP) technology provides outstanding stability over long periods of time and reliability levels unattainable with analog signal processors. The DSP circuitry utilizes a state-of-the-art algorithm that separates the luminance signal (Y) and the chrome signal (C) more precisely enabling the camera to reproduce true, more natural colors.



350HQ Series



Conventional camera

High Picture Quality (Sharper Images and Reduced Color Smudging):

Sharp:



350HQ Series



Conventional camera

Smudges:



350HQ Series



Conventional camera

- **Back-Light Compensation (BLC):**

Unwanted backlighting can often cause the subject matter of the image to be cast into shadows. The Back-Light Compensation (BLC) feature incorporated in this camera will automatically compensate for such conditions and allow the subject to be easily visible with an improved level of object recognition.

- **C/CS-Mount:**

The EQ350HQ camera can be used with C or CS-mount lenses, allowing for easy and precise back-focus adjustments.

- **AWB mode:**

Quickly calculates the correct color images using white color as a base. The AWB mode stabilizes motion and still objects with a smooth transition.

- **No color rolling under fluorescent lights: (FL)**

Color-rolling is suppressed substantially by high accuracy and high-speed convergence.

Ordering Information

EQ350HQ Series



EQ350HQ

EQ350AHQ/N	NTSC,AC24V/DC12V
EQ350AHQ/P	PAL,AC24V/DC12V
EQ350HQ/N	NTSC,AC100~240V
EQ350HQ/P	PAL,AC100~240V

EI350HQ Series



EI350HQ

EI350HQ/N-V1	NTSC,AC24V/DC12V,Vari-focal lens f=3.8~9.5mm/F=1.2
EI350HQ/N-V2	NTSC,AC24V/DC12V,Vari-focal lens f=3.7~12mm/F=1.6
EI350HQ/P-V1	PAL,AC24V/DC12V,Vari-focal lens f=3.8~9.5mm/F=1.2
EI350HQ/P-V2	PAL,AC24V/DC12V,Vari-focal lens f=3.7~12mm/F=1.6

ED350HQ Series



ED350HQ

ED350HQ/N-V1	NTSC,DC12V,Vari-focal lens f=3.8~9.5mm/F=1.2, Goldon Base/Smoke Shell
ED350HQ/N-V2	NTSC,DC12V,Vari-focal lens f=3.7~12mm/F=1.6, Goldon Base/Smoke Shell
ED350HQ/NA-V1	NTSC,DC12V,Vari-focal lens f=3.8~9.5mm/F=1.2, Black Base/Smoke Shell
ED350HQ/NA-V2	NTSC,DC12V,Vari-focal lens f=3.7~12mm/F=1.6, Black Base/Smoke Shell
ED350HQ/NC-V1	NTSC,DC12V,Vari-focal lens f=3.8~9.5mm/F=1.2, White Base/Clear Shell
ED350HQ/NC-V2	NTSC,DC12V,Vari-focal lens f=3.7~12mm/F=1.6, White Base/Clear Shell

ED350HQ/P-V1	PAL,DC12V,Vari-focal lens f=3.8~9.5mm/F=1.2, Goldon Base/Smoke Shell
ED350HQ/P-V2	PAL,DC12V,Vari-focal lens f=3.7~12mm/F=1.6, Goldon Base/Smoke Shell
ED350HQ/PA-V1	PAL,DC12V,Vari-focal lens f=3.8~9.5mm/F=1.2, Black Base/Smoke Shell
ED350HQ/PA-V2	PAL,DC12V,Vari-focal lens f=3.7~12mm/F=1.6, Black Base/Smoke Shell
ED350HQ/PC-V1	PAL,DC12V,Vari-focal lens f=3.8~9.5mm/F=1.2, White Base/Clear Shell
ED350HQ/PC-V2	PAL,DC12V,Vari-focal lens f=3.7~12mm/F=1.6, White Base/Clear Shell

EHD350HQ Series



EHD350HQ

EHD350HQ/NC-V1	NTSC,AC24V/DC12V,Vari-focal lens f=3.8~9.5mm/F=1.2, Clear Shell, W/I Heater
EHD350HQ/NC-V2	NTSC,AC24V/DC12V,Vari-focal lens f=3.7~12mm/F=1.6, Clear Shell, W/I Heater
EHD350HQ/NC-V3	NTSC,AC24V/DC12V,Vari-focal lens f=9~22mm/F=1.6,Clear Shell, W/I Heater
EHD350HQ/NS-V1	NTSC,AC24V/DC12V,Vari-focal lens f=3.8~9.5mm/F=1.2, Smoke Shell, W/I Heater
EHD350HQ/NS-V2	NTSC,AC24V/DC12V,Vari-focal lens f=3.7~12mm/F=1.6, Smoke Shell, W/I Heater
EHD350HQ/NS-V3	NTSC,AC24V/DC12V,Vari-focal lens f=9~22mm/F=1.6,Smoke Shell, W/I Heater

EHD350HQ/PC-V1	PAL,AC24V/DC12V,Vari-focal lens f=3.8~9.5mm/F=1.2, Clear Shell, W/I Heater
EHD350HQ/PC-V2	PAL,AC24V/DC12V,Vari-focal lens f=3.7~12mm/F=1.6, Clear Shell, W/I Heater
EHD350HQ/PC-V3	PAL,AC24V/DC12V,Vari-focal lens f=9~22mm/F=1.6,Clear Shell, W/I Heater
EHD350HQ/PS-V1	PAL,AC24V/DC12V,Vari-focal lens f=3.8~9.5mm/F=1.2, Smoke Shell, W/I Heater
EHD350HQ/PS-V2	PAL,AC24V/DC12V,Vari-focal lens f=3.7~12mm/F=1.6, Smoke Shell, W/I Heater
EHD350HQ/PS-V3	PAL,AC24V/DC12V,Vari-focal lens f=9~22mm/F=1.6,Smoke Shell, W/I Heater

EZ350HQ Series



EZ350HQ

EZ350HQ/N-V1	NTSC,AC24V/DC12V,Vari-focal lens f=3.8~9.5mm/F=1.2, W/I Heater
EZ350HQ/N-V2	NTSC,AC24V/DC12V,Vari-focal lens f=3.7~12mm/F=1.6, W/I Heater
EZ350HQ/N-V3	NTSC,AC24V/DC12V,Vari-focal lens f=9~22mm/F=1.6, W/I Heater

EZ350HQ/P-V1	PAL,AC24V/DC12V,Vari-focal lens f=3.8~9.5mm/F=1.2, W/I Heater
EZ350HQ/P-V2	PAL,AC24V/DC12V,Vari-focal lens f=3.7~12mm/F=1.6, W/I Heater
EZ350HQ/P-V3	PAL,AC24V/DC12V,Vari-focal lens f=9~22mm/F=1.6, W/I Heater



EverFocus Electronics Corp.

Head office & Manufacturer:

12F, No.79, Sec. 1, Shin-Tai Wu Rd., Hsi-Chi, Taipei Hsien, Taiwan.
TEL: 886-2-2698-2334 FAX: 886-2-2698-2380
<http://www.everfocus.com.tw> E-Mail: marketing@everfocus.com.tw

U.S.A. Office:

2445 Huntington Drive, San Marino, CA 91108, U.S.A.
TEL: 1-626-844-8888 FAX: 1-626-844-8838
<http://www.everfocus.com> E-Mail: sales@everfocus.com

European Office:

Albert-Einstein-Strasse 1D-46446 Emmerich, Germany
TEL: 49-2822-9394-0 FAX: 49-2822-939495
<http://www.everfocus.de> E-Mail: info@everfocus.de

Beijing Office:

Room 609, Technology Trade Building, Shangdi, Haidian, Beijing, China
Tel: 86-10- 62973336/37/38/39 Fax: 86-10-62971423
<http://www.everfocus.com.cn> E-Mail: marketing@everfocus.com.cn

Japan Office:

1809, WBG Maribu East 18F 2-6 Nakase, Mihama-ku,
Capitalize city 261-7118, Japan
TEL: 81-43-212-8188 FAX: 81-43-297-0081
<http://www.everfocus.com> E-Mail: salesjapan@everfocus.com

Distributed by: