

Professional Security Cameras EL-MCE42-IR/4

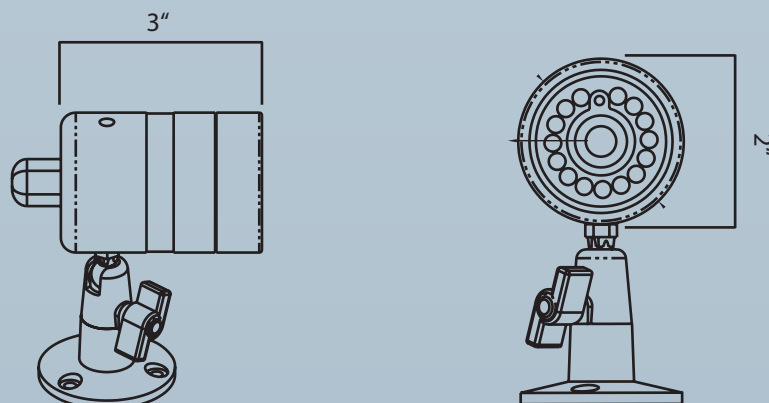


Benefits & Features

- Color Day/Night Infrared Weatherproof Camera
- 1/4" CCD Image Sensor
- Resolution of 420 TVL
- Illumination 0.92 Lux at F2.0
- Illumination 0 Lux (IR On)
- Built-In 4.0mm Board Lens (Standard)
- Range is 16'-26'
- Easy Installation, Waterproof, Outdoor & Indoor
- Back Light Compensation
- Automatic Gain Control

The EL-MCE42-IR/4 infrared color bullet camera has a high quality digital CCD that automatically switches from color to black & white for incredible performance in low light conditions. To enhance low light performance this camera has 16 built-in infrared illuminators. The small attractive weatherproof housing makes the ELMCE42/IR-4 a great indoor/outdoor camera for your home or business.

Dimension Drawings



Specifications

| Camera Model | EI-MCE42-IR/4 |
|------------------------|---|
| Image Sensor | 1/4" CCD Image Sensor |
| Effective Pixels | NTSC: 510(H) x 492(V) |
| Automatic Gain Control | On |
| Sync. System | Internal Synchronization |
| Scanning System | 2:1 Interlace |
| Horizontal Resolution | 420TV Lines |
| S/N Ratio | More than 48dB |
| Gamma Correction | 0.45 |
| Minimum Illumination | 1.0 Lux, F 2.0, 0 Lux with IR |
| Video Output | 1.0 Vp-p, 75 Ohms |
| Power Requirements | DC 12V, 350mA |
| Water Resistance | IP66 |
| IR LED's | 10PCS |
| Night Viewable Range | 16'-26' |
| Operating Temperature | 14F~140F |
| Lens | 14.0mm Board Lens (Standard), 6.0mm Board Lens (Optional) |
| Shutter Control | 1/60-1/100,000sec. (NTSC) |
| Dimensions | 2"(W) x 3"(H) |
| Weight | .66 lbs |
| | |
| | |
| | |
| | |
| | |
| | |
| | |
| | |
| | |