

## COMARK MOBILITY SOLUTIONS

# COMARK-9200 Vehicle Mount Terminal

**Intel® 1.8GHz quad core processor • 10.4" - 16"  
indoor/outdoor touchscreen • integrated DC converter •  
GPS • Wi-Fi • 3G • Bluetooth®**

The COMARK-9200 series vehicle mount terminal was built purposely for the toughest warehousing, logistics and manufacturing operations. With your choice of display sizes ranging from 10.4" - 16" the COMARK-9200 can be tailored to perform in a range of applications. With its modular board design and extended life cycle, the COMARK-9200 provides your business with the flexibility to grow as applications require. Certified for IP54 protection against water and dust, the COMARK-9200 is designed to survive the demands of a harsh industrial environment.



### Key Features

- Choice of Operating Systems, including: Windows® 7 32/64bit, Windows® 10 64bit, Android 6/8, Linux Ubuntu 14.04
- Customizable I/O to optimize peripheral interfaces; Dual 2.0 USB ports, Dual RS232 ports, Ethernet 10/100/1000 LAN, VGA port
- Integrated backup battery
- Integrated 10-60V DC Converter
- Attachable Full Alpha/Numeric keyboard and user-programmable keys
- Multiple radio communication; including an Intel a/b/g/n (ac) module, 3G cellular independence supporting AT&T®, and T-Mobile®, Bluetooth® 4.0 and Standalone GPS
- Heater option that extends operating range down to -20C

Designed for forklifts, cranes, and shop floor automation, the COMARK-9200 with attachable industrial backlit ALPHA / NUMERIC keyboard provides ease of use even with a work glove. Built around an industrial Intel® processor, the COMARK-9200 supports the latest Windows® 10 or Android 6.0 / 8.0 operating systems. Affordably priced, the COMARK-9200 sets the standard for reducing operational costs.



wireless



dust



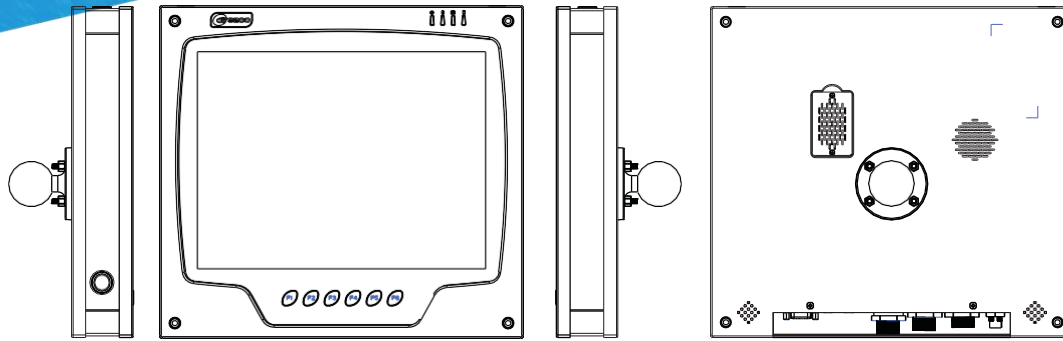
water



vibration



extreme  
temps



## Technical Specifications

| Physical                     |  |
|------------------------------|--|
| Dimensions                   | Standard 12.1" model: H: 11.18" (284.06mm), W: 12.24" (310.9mm), D: 2.05" (52.2mm)<br>Standard 15" model: H: 13.31" (338.15mm), W: 15.11" (383.9mm), D: 2.17" (55.2mm)   |
| Weight                       | 12.1" model: 9 lbs; 15" model: 13 lbs  |
| Warranty                     | Standard 1 year manufacturer's warranty; available 1 or 3 year No-Fault Service Coverage (optional)  |
| GPS                          | Ublox 7 chipset (optional, external antennarequired)   |
| WiFi                         | Intel® 8265 a/b/g/n (a/c) module support for external antennas   |
| WWAN                         | 3G GPRS/CDMA integrated cellular card (optional); available cellular carriers: AT&T®, T-Mobile®; external antenna required   |
| Bluetooth                    | Intel® 8265, BT4.2 LE – Smart Ready  |
| Voice                        | Integrated 3.5mm mic/headset jack  |
| Power                        | Power filtering DC converter: 10-60V input, optional integrated backup battery for hot swapping of main battery (1.5hrs)<br>– AC adapter, 19V DC 100 watt 110/220V AC 50/60 Hz input.                                      |
| System                       |  |
| Case                         | Impact-resistant metal, IP54 rated   |
| Processor                    | Intel® N2930 1.8GHz Quad Core  |
| Chipset                      | Intel® SOC (system on chip)  |
| Display                      | 12.1" or 15" (1024x768) contrast ratio: 400: 1; 500NIT LED backlit indoor/outdoor readable   |
| Touchscreen                  | Resistive (indoor/outdoor)   |
| Video                        | HDMI 1.4a, HDCP 1.4  |
| Audio                        | Realtec HD audio codec (Model#ALC269); 2 x 2W integrated speaker   |
| Memory                       | 4GB or 8GB DDR3L 1066MHz on board RAM  |
| Storage                      | Micro SATA SSD 64GB (Standard) 128GB, 256GB (optional)   |
| Operating System             | Windows® 7 32/64bit, Windows® 10 64Bbit, Android 6/8 Linux Ubuntu 14.04  |
| Ports                        | (2) USB 2.0, (2) RS232, (1) Ethernet 10/100/1000, (1) VGA (optional)   |
| Keys                         | (6) user programmable  |
| Environmental                |  |
| Temperature                  | Operating: 32°F to +122°F (0°C to +50°C); storage: -4°F to +149°F (-20°C to +65°C). Extreme cold (optional) operating: -22°F to +122°F (-20°C to +50°C); extreme cold (optional) storage: -22°F to +149°F (-30°C to +65°C) |
| Optional Cold Storage Heater | Auto enabled internal heater for use at -22°F to +122°F (-20°C to +50°C)   |
| Vibration                    | 5~500Hz 1G PTP, MIL STD. 810F 514.5C-3 highway truck vibration exposure  |
| Shock                        | Operating: 20G (11ms), non-operating: 40G (11ms), crash: 75G (11ms)  |
| EMI/EMC                      | FCC class A, CE  |
| Water/Dust                   | IP54; dust: protected against dust, limited ingress; water: protected against sprays from all directions, limited ingress  |
| Accessories                  |  |
| USB Keyboard                 | IP64 Rugged Backlit USB Keyboard   |
| Mounting                     | Keyboard Mounting Bracket  |
| Power Adapter                | Cigarette Lighter Power Adapter  |
| Antenna                      | External Cellular, GPS, WiFi Antennas  |
| RAM Mounts                   | Multiple RAM Mount options   |