

Canon

VB-C300

WIDE ANGLE PTZ NETWORK CAMERA

Canon



Interlaced scan

Progressive Scan
(VB-C300)



VB-C300 can be used upright, on the ceiling, or in an optional ultra-compact ceiling dome.*



VB-C300 wide angle lens compared to the VB-C50i zoom lens.



A. Low-light video in black and white
B. 30fps captured video with as little as 1 lux of illumination.

WIDE ANGLE LENS:

- The new VB-C300 features a genuine Canon auto focus lens boosting a wide 70° horizontal angle of view.
- Pan / Tilt / Zoom:
 - Pan: $\pm 170^\circ$
 - Tilt: $-25^\circ / +90^\circ, +25^\circ / -90^\circ$ (Reverse Mode)
 - Zoom: 2.4x Optical / 4x Digital
- Stylish, extremely compact with an unobtrusive design.

AUTO DAY & NIGHT MODE:

- Auto Day & Night Mode allows the VB-C300 to automatically switch from color video capture in daylight conditions to light sensitive black & white video capture in dark conditions.
- The VB-C300 offers excellent low-light performance able to capture 30fps color video with as little as 1lux of illumination without reducing frame rate.
- Images are clear and noise free thanks to a high-sensitivity CCD.

AUTO FOCUS:

- Objects in the foreground and background are in focus during panning, tilting, or zooming.

POE (POWER OVER ETHERNET):

- 802.3af Compliant. Receive both data and power through a single ethernet cable.

TWO-WAY AUDIO:

- Simultaneous two-way audio. Speak and listen at the same time.

NETWORKING:

- Built-in Network Server provides viewing up to 15 clients simultaneously.
- Built-in terminals for connection to external devices.

VIDEO:

- Smooth, high-quality, progressive scan video for clear images of even fast moving subjects.





VB-C300

WIDE ANGLE PTZ NETWORK CAMERA

PRODUCT NAME	VB-C300
ITEM CODE	1867B002AA
UPC CODE	013803078046

SPECIFICATIONS	
Video Signal	Conforms to NTSC
Image Sensor	1/4-inch CCD (primary color filter)
Number of Pixels	680,000 (effective 310,000)
Scanning Method	Progressive Scan
Min. Subject Illumination	Day Mode: 1 lux (F2.0, color, 1/30 sec.) Night Mode: 0.25 lux (F2.0, monochrome, 1/30 sec.) Using the (optional) VB-RD41S-S Smoke Indoor Housing Dome Day Mode: 2 lux (F2.0, color, 1/30 sec.) Night Mode: 2 lux (F2.0, monochrome, 1/30 sec.)
Imaging Modes	Day mode/Night mode
Focusing	Day mode: 11.8 in. / Night mode: 23.6 in. for Auto/Manual focusing at wide/telephoto ends
Aperture	Auto iris servo system
Lens	f= 3.0 to 7.2mm / F2.0 to 3.4 / 2.4x optical zoom (shooting at infinity)
Viewing Angle	Horizontal= 70.8° (W) to 29.6° (t) Vertical= 51.6° (W) to 22.1° (t) (including distortion)
Pan Angle Range	340° (±170°)
Tilt Angle Range	Upright position= 115° (-25° to 90°) Inverted=115° (-90° to 25°)
Moving Rate	Pan= Max. 90° / sec. Tilt= Max. 70° / sec.
Infrared Cut Filter	Power-driven insertion / removal (Day mode/Night mode)
White Balance	TTL method: Auto / Manual preset / One-shot
Protocols	HTTP, DHCP, WV-HTTP (from Canon)
Video Compression Method	Motion-JPEG compression (movie) JPEG (still image)
Video Compression Rate	NTSC: 0.1fps-30fps
Audio Compression Method	G.711μ-law(64kbps) full duplex
Output Video Size	160 x 120, 320 x 240, 640 x 480
Camera Control	Pan, tilt, zoom, brightness, shutter speed, focus speed, white balance
Connection Controls	Access Control (with password), number of concurrent connections (max. 15)
Network	Network: LAN x 1 (RJ45, 100Base-TX / 10Base-T auto-negotiation) AUDIO IN/OUT: Ø3.5 monaural. mini-jack IN: Connection to a microphone with amp and LINE output x 1 OUT: Connection to a speaker with amp x 1
Main Unit Interface	VIDEO OUT: Ø3.5 monaural. mini-jack Video composite signal output from network camera (for maintenance) x 1 External Device I/O: Input x 2, Output x 1
Dimensions	Approx. 4.79 in (H) x 5.19 in (W) x 5.11 in (D) (Main unit only, excluding rubber feet and ceiling bracket)
Weight	Approx. 1.73 lbs Approx. 2.15 lbs with ceiling mount (including ceiling bracket and ceiling mount cover)
Operating Environment	Temperature: -10-45°C, humidity 20-85% RH (condensation free)
Power	Capable of PoE power supply via LAN connector (in accordance with IEEE 802.3af compliant) 24VAC / 12VDC, (using the Supplied Connector, (no polarity) AC adapter for 100VAC to 240 VAC (PA-V17)
Power consumption	Max: Approx. 10W (PoE), Max: Approx. 13W (AC adapter)

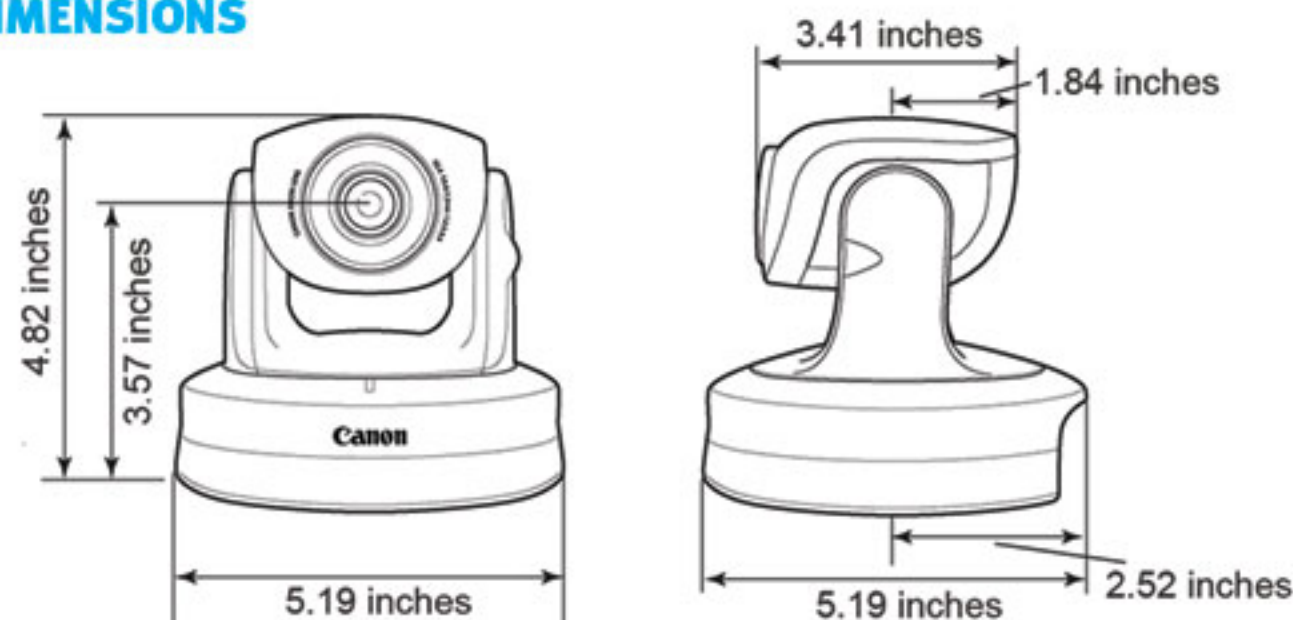
CONTENT OF KIT	
Items	VB-C300, Ceiling Bracket, Ceiling Mount Cover, Screws x4, Safety Wire, Power Connector, CD-ROM, Rubber Feet, Template, Users Manual
PACKAGING INFORMATION	
W x H x D	7.87 x 8.54 x 8.47 in.
Weight	3.53 lbs

AC ADAPTER (optional)	
Item Code / Model	2245B001AA PA-V17
Input	100-240 VAC 50/60 Hz
Output	13 VDC 1.8 A (max.) Temperature: -10°C to 35°C Humidity: 20 to 85%RH (condensation free) When using the network camera: 13 VDC 1.0 A (max.) Temperature: -10°C to 45°C Humidity: 20 to 85%RH (condensation free)
Polarity	Exterior (-) Interior (+)
Dimension	2.28 x 4.65 x 0.98 in. (W x D x H) (Excluding attachments)
Weight	Approx. 0.474 lbs (excluding cables)
INDOOR HOUSING DOME (optional)	
Item Code / Model	2112B004AA VB-RD41S-C (Clear) 2112B001AA VB-RD41S-S (Smoke)
Using environment in combination with the camera	Temperature 0-45°C, humidity 20-85% RH (condensation free)
Dimensions	7.09 in. (dome: 4.43 in.) x 3.21 in. (H) [Including ceiling portion: 5.77 in. (H)]
Weight	Approx. 0.82 lbs (Excluding the VB-C300)

OPTIONAL SOFTWARE	
Item Code / Description	9513A028 VK-64 Software Ver 1.3 9513A029 VK-16 Software Ver 1.3 9513A030 VK-Viewer (1) License 9513A031 VK-Viewer (5) Licenses

* Domes are available in smoke and clear. Domes are sold separately.

DIMENSIONS



Specifications are subject to change without notice. Weight and dimensions are approximate. Canon and IMAGEANYWARE are registered trademarks of Canon Inc. in the United States and may also be registered marks in other countries. Microsoft and Windows are either registered trademarks or trademarks of the Microsoft Corporation in the United States and/or other countries. Other names and products not mentioned above may be registered trademarks or trademarks of their respective companies. Errors and omissions excepted. Images simulated
Warning: Unauthorized recording of copyrighted materials may infringe on the rights of copyright owners and be contrary to copyright laws ©2007 Canon U.S.A., INC.

Canon
image*ANYWARE*

1-800-OK-CANON
www.usa.canon.com

Canon U.S.A., Inc.
One Canon Plaza
Lake Success, NY 11042 U.S.A.

Canon Canada, Inc.
6390 Dixie Road
Mississauga, Ontario L5T 1P7 Canada

www.canondv.com/nvs