



VIP XD HD Decoder



- ▶ **HD 1080p and 720p decoding**
- ▶ **Flexible monitor layouts**
- ▶ **Directly drives HD monitor**
- ▶ **Displays VCA metadata**
- ▶ **Compact size and VESA mount**

The VIP XD HD decoder displays high definition and standard definition video from cameras and encoders using H.264 or MPEG-4 encoding at up to 30 images per second over IP networks.

It can decode four H.264 720p30 streams at 10 Mbps or two 1080p30 streams at 10 Mbps. Alternatively, it can simultaneously decode six H.264 Standard Definition streams at up to 6 Mbps from fast-moving AutoDome cameras with the highest clarity. When H.264 Standard Definition streams at up to 2.5 Mbps from medium activity scenes are connected, up to twelve streams can be displayed.

The VIP XD HD decoder can drive a HD display directly, and so is ideally suited for applications with flat-screen monitor walls.

Compact in size in relation to its decoding power, VIP XD HD is perfect for any display application that requires space-saving solutions.

Control the viewing mode remotely and establish the video connections using Bosch's comprehensive video management systems.

System Overview

VIP XD HD is based on the latest Intel H67 Express Chipset on a Mini-ITX board with a Core i3 CPU running at 3.1 GHz. The system has a 8 GB Flash module as boot medium for operating system and application. It uses a Gigabyte Ethernet port.

The system runs a tailored and Bosch-branded Microsoft Windows 7 Embedded operating system, and Monitor Wall software based on HD-capable VideoSDK 5, both fine-tuned for High Definition video decoding support.

The VIP XD HD decoder provides three monitor outputs, DVI-I, HDMI and DP; only one of these can be used at the same time.

The system is enclosed in a specially designed housing that comes with a pleasant silver appearance. It can be directly mounted to the back of a monitor, using the VESA mount options of 75 mm (2.953 in) or 100 mm (3.937 in).

Functions

High Performance

Transmit High Definition IP video to a high-performance VIP XD HD decoder and present it with ultimate clarity on a large, flat-screen HD monitor, for example, a high-performance 26" or 42" Bosch HD LCD monitor.

VIP XD HD is capable of decoding two full HD 1080p30 streams or four 720p30 streams, for example, displayed in quad-view. It can handle up to six Standard Definition streams at up to 6 Mbps with full resolution and frame rate, and display it in a 2 x 3 view on a 16:9 monitor.

At a lower resolution, bit rate, or frame rate, VIP XD HD is capable of displaying up to 30 video streams in a 5 x 6 view, arranged in various selectable screen layouts.

Layouts can be switched at any time during operation, initiated by the controlling video management system.

Layout switching can be based on alarm scenarios.

Decoding Performance

Encoding	Streams	Resolution	Max. bit rate
H.264 HD	2	1080p30	10 Mbps
	4	720p30	10 Mbps
H.264 SD	6	4CIF/480p	6 Mbps
	12	4CIF/480p	2.5 Mbps

Access Security

VIP XD HD decoders offer various security levels for accessing the network, the unit, and the data channels. System access is password-protected with two levels.

For total data protection, each video communication channel can be independently AES encrypted with 128-bit keys, once the encryption site license has been applied.

Easy Upgrade

Remotely upgrade the VIP XD HD decoders whenever new software becomes available. This ensures up-to-date products, thus protecting investment with little effort.

Certifications and Approvals

Approvals

Region	Certification
Europe	CE VIP XD HD

Safety

Region	Number
	IEC 60950

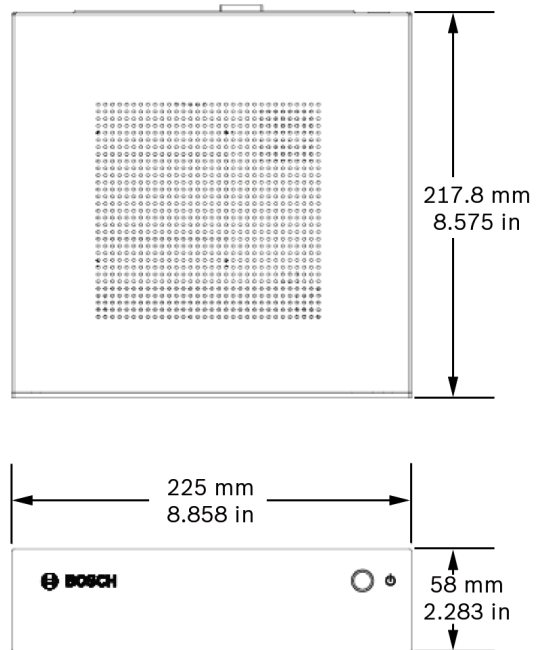
Electromagnetic Compatibility

Region	Number
EU	EN55022 ITE
	EN55024 ITE
US	FCC 47 CFR Chapter 1 Part 15

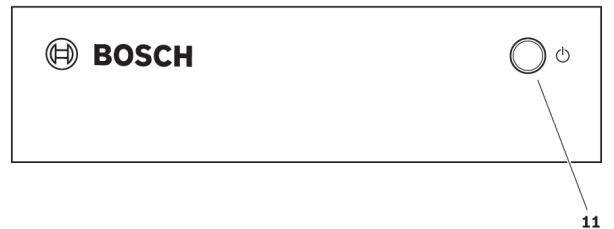
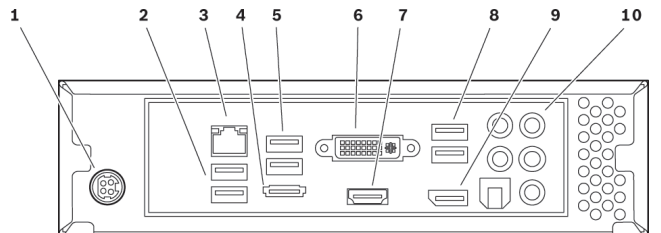
Installation/Configuration Notes

Dimensions

(without stands)



Connectors and Indicators



- 1 Power connector
- 2 2x USB
- 3 Ethernet port with status LEDs
- 4 eSATA, disabled
- 5 2x USB
- 6 DVI-I monitor output
- 7 HDMI monitor output
- 8 2x USB
- 9 DP monitor output
- 10 Audio connectors, unused
- 11 Power switch with integrated LED

Parts Included

Quantity	Component
1	VIP XD HD High Definition video decoder
1	International power supply unit with EU and US power cord
4	Screw-on stands
1	Monitor mounting kit
1	Installation Manual
	Adhesive MAC address labels

Technical Specifications

Electrical

Power supply	Wide-range, external, included in the box
Input voltage	100 to 240 VAC, 50/60 Hz
Power consumption	Approx. 90 W, 135 W max

Video

Video outputs	1 of 3
<ul style="list-style-type: none"> connector 	DVI-I, or HDMI, or DP, no VGA support

Standards	H.264 (ISO/IEC 14496-10) MPEG-4
-----------	------------------------------------

Data rates

<ul style="list-style-type: none"> HD 	up to 20 Mbps, single stream
<ul style="list-style-type: none"> SD 	up to 6 Mbps per stream

GOP structure	I, IP, IBBP
---------------	-------------

Monitor Resolutions

<ul style="list-style-type: none"> DVI-I 	1920 x 1200 max (WUXGA) at 60 Hz
<ul style="list-style-type: none"> HDMI 	1920 x 1200 max (WUXGA) at 60 Hz
<ul style="list-style-type: none"> DP 	2560 x 1600 max (WQXGA) at 60 Hz

Network

Ethernet	10/100/1000 Base-T, auto-sensing, half/full duplex, RJ45
----------	--

Protocols	RTP, Telnet, UDP, TCP, IP, HTTP, HTTPS, FTP, DHCP, IGMP V2/V3, ICMP, ARP, SMTP, SNMP, SNMP (V1, MIB-II)
-----------	---

Encryption	TLS 1.0, SSL, AES (optional)
------------	------------------------------

Control

Software update	remote programmable
-----------------	---------------------

Configuration	Configuration Manager
---------------	-----------------------

Operation	Bosch Video Management System, Bosch Video Client
-----------	--

Mechanical

Dimensions w/o stands (H x W x D)	58 x 225 x 217.8 mm (2.283 x 8.858 x 8.575 in)
--------------------------------------	---

Weight	Approx. 3 kg (6.6 lb)
--------	-----------------------

VESA mount	75 x 75 mm or 100 x 100 mm (2.953 x 2.953 in or 3.937 x 3.937 in)
------------	--

Environmental

Operating temperature	0 °C to +40 °C (+32 °F to +104 °F) ambient temperature
Relative humidity	0 to 90% atmospheric humidity, non-condensing
Thermal value	Approx. 310 BTU/h, 460 BTU/h max

Ordering Information

VIP-XDHD	VIP-XDHD
HD video decoder, H.264 and MPEG-4	

Accessories

UML-262-90 26-inch Full High-Definition LCD Monitor	UML-262-90
26-in. 1080p LCD CCFL monitor with RGB, DVI, and HDMI inputs	

UML-422-90 42-inch Full High-Definition LCD Monitor	UML-422-90
42-in. 1080p LCD CCFL monitor with RGB, DVI, and HDMI inputs	

Americas:
Bosch Security Systems, Inc.
130 Perinton Parkway
Fairport, New York, 14450, USA
Phone: +1 800 289 0096
Fax: +1 585 223 9180
security.sales@us.bosch.com
www.boschsecurity.us

Europe, Middle East, Africa:
Bosch Security Systems B.V.
P.O. Box 80002
5600 JB Eindhoven, The Netherlands
Phone: + 31 40 2577 284
Fax: +31 40 2577 330
emea.securitysystems@bosch.com
www.boschsecurity.com

Asia-Pacific:
Robert Bosch (SEA) Pte Ltd, Security Systems
11 Bishan Street 21
Singapore 573943
Phone: +65 6258 5511
Fax: +65 6571 2698
apr.securitysystems@bosch.com
www.boschsecurity.asia

Represented by