



## VIP X2 Dual-channel Video Encoder



- ▶ Dual-channel encoder
- ▶ High-quality MPEG-4  
@ full D1/4CIF/2CIF/Half D1/CIF/QCIF
- ▶ Storage-efficient Dual Streaming
- ▶ Ultra-compact size
- ▶ Multicast & Internet streaming
- ▶ Alarm inputs & relay output
- ▶ FastEthernet interface
- ▶ Serial data port
- ▶ Audio model

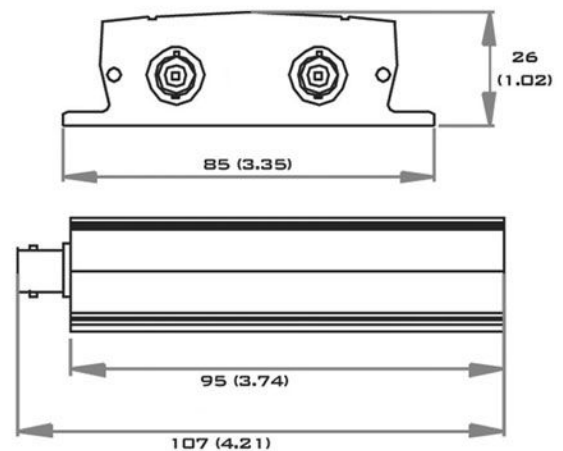
The VIP X2 features 2 DVD like quality MPEG-4 video signals, at up to 30 images per second, per channel, over IP networks.

The video signals can be received and displayed with a standard web browser or VIDOS video management software. Using the VIP XD or any other MPEG-4 decoder, you can integrate point-to-point connections into your system, to display video from any VIP or VideoJet encoder on analog monitors.

The VIP X2 provides Dual Streaming. It is able to generate in total 4 independently configurable MPEG-4 video streams (2 per input).

The VIP X2 is ultra-compact, so it is perfect for any application that depends on space-saving solutions. The VIP X2 is available as audio model, providing bi-directional audio communication in parallel to video. Besides the standard line level interfaces for both audio channels, it has integrated amplifiers to directly connect to microphone and speaker for channel1.

### Installation/Configuration Notes



*Dimensions in mm (inches)*



Front view VIP X2, none audio model

- 1 Video In 1
- 2 Video In 2



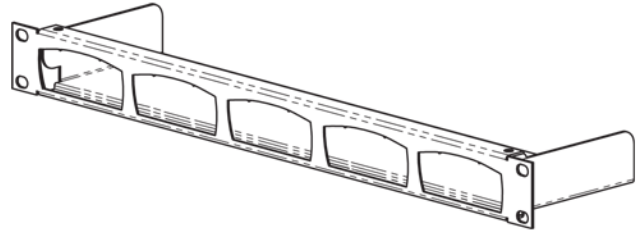
Front view VIP X2 Audio model

- 1 Video In 1
- 2 Line In
- 3 Microphone In , Speaker Out
- 4 Line out
- 5 Video In 2



Rear view all models

- 1 USB port
- 2 Reset: Factory Default
- 3 Alarm in, Relay out, Power, COM (RS 232/422/485)
- 4 LED Power
- 5 LED Link
- 6 LED Traffic
- 7 10/100 Base-T Fast Ethernet (RS 232/422/485)



Rack mount kit (optional)

**Parts Included**

Quantity	Component
1	VIP X2 encoder
1	international plug-in power supply
1	RS-232 null modem cable
1	Quick Installation Guide
1	CD-ROM containing manual, software and tools

## Technical Specifications

### Electrical

Video Standards	MPEG-4
Video Data Rate	9.6 kbps - 6 Mbps per channel
Video Resolution	704 x 576/480 (D1/4CIF: 25/30 IPS) 704 x 288/240 (2CIF: 25/30 IPS) 352 x 576/480 (Half D1: 25/30 IPS) 352 x 288/240 (CIF: 25/30 IPS) 176 x 144/120 (QCIF: 25/30 IPS)
GOP Structure	I, IP
Overall Delay (IP)	MPEG-4: 120 ms
Network Protocols	RTP, Telnet, UDP, TCP, IP, HTTP, IGMP V2, ICMP, ARP, SNMP
Software Update	Flash ROM, remote programmable
Configuration	Via web browser, built-in web server
<b>interfaces</b>	
Video In	2x analog composite: NTSC/PAL; BNC connector 75 Ohm switchable, 0.7 - 1.2 Vp-p
Alarm In	4x (non-isolated closure contact type), max. ac- tivation resistance 10 Ohm
Relay Out	1x, 30 Vp-p, 2 A
Connectors	14 position spring clamp contact for alarm, relay and COM port
COM Port	1x RS-232/422/485, spring clamp contacts
USB Port	1x 2.0 external interface*
Ethernet	10/100Base-T, auto-sensing, half/full duplex, RJ-45
<b>Audio Model</b>	
Audio Standard	G.711; 300 Hz - 3.4 kHz
Audio Data Rate	80 kBit/s
Audio Sampling Rate	8 kHz
Line In	Dual channel via stereo jack 3.5 mm, 9 kOhm typ., 5.5 Vpp max.
Line Out	Dual channel via stereo jack 3.5 mm, 16 Ohm min., 3 Vpp max.
Microphone In	CombiCon plug, 2kOhm typ., 2.8 Vpp max. -20dB, supply 2.3 V typ.
Speaker Out	CombiCon plug, 4 Ohm min., 6 Vpp max., power RMS 1 W
<b>Environmental</b>	
Input Voltage	12 - 24 VDC, spring clamp contact
Power Consumption	Approx. 10 VA
Power Supply Unit	VIPXPS111022 included in the box
Weight	Approx. 0.2 kg (0.44 lb)
Operating Temperature	0°C - 40°C (32°F - 104°F) ambient temperature

Humidity	20 - 80%, atmospheric humidity (not cond.)
Complies with	CE: IEC 60950; UL 1950; AS/NZS 3548; EN 55103-1, -2; EN 50130-4; EN 55022; EN 55024; EN 61000-3-2; EN 61000-3-3; FCC 47 CFR Ch.1 Part 15

\* future use

## Ordering Information

### Model | Description

VIP X2	MPEG-4 dual-stream 2 ch encoder, USB, serial I/O, alarm in, relay
VIP X2A	MPEG-4 dual-stream 2 ch encoder, USB, audio, serial I/O, alarm in, relay

### Hardware Accessories

VIPRMK1HU	VIP X/10/1000 Rack Mount Kit (5 units in 1HU)
VIPXPS111022	Power supply

**Americas:**  
Bosch Security Systems  
130 Perinton Parkway  
Fairport, New York, 14450, USA  
Phone: +1 585 223 4060  
Fax: +1 800 289 0096  
security.sales@us.bosch.com  
www.boschsecurity.us

**Europe, Middle East, Africa:**  
Bosch Security Systems B.V.  
P.O. Box 80002  
5600 JB Eindhoven, The Netherlands  
Phone: +31 (0) 40 27 83955  
Fax: +31 (0) 40 27 86668  
emea.securitysystems@bosch.com  
www.boschsecurity.com

**Asia-Pacific:**  
Bosch Security Systems Pte Ltd  
38C Jalan Pemimpin  
Singapore 577180  
Phone: +65 6319 3450  
Fax: +65 6319 3499  
apr.securitysystems@bosch.com  
www.boschsecurity.com

### Represented by