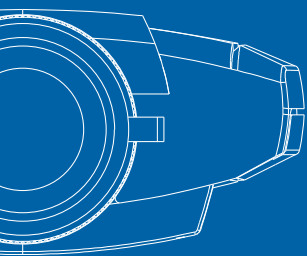




# AXIS 211M Network Camera

*Megapixel video surveillance with exceptional image detail*



*AXIS 211M is a high performance megapixel network camera, designed for professional video surveillance in locations such as retail stores, schools, bank or governmental buildings.*



## MEGAPIXEL RESOLUTION >

Thanks to its 1.3 megapixel resolution, AXIS 211M delivers crisp and clear images, perfect for the identification of objects and persons.

## PROGRESSIVE SCAN >

Progressive scan technology provides full resolution images of moving objects, with no distortion.

## SIMULTANEOUS MOTION JPEG AND MPEG-4 >

Simultaneous Motion JPEG and MPEG-4 video streams in full megapixel resolution allow for optimization both on image quality and bandwidth efficiency.

## POWER OVER ETHERNET >

Power over Ethernet (IEEE 802.3af) supplies power to the camera via the network, which eliminates the need for power cables and reduces installation costs.

## TWO-WAY AUDIO SUPPORT >

The two-way audio support allows remote users to listen in on an area and communicate with visitors or intruders.

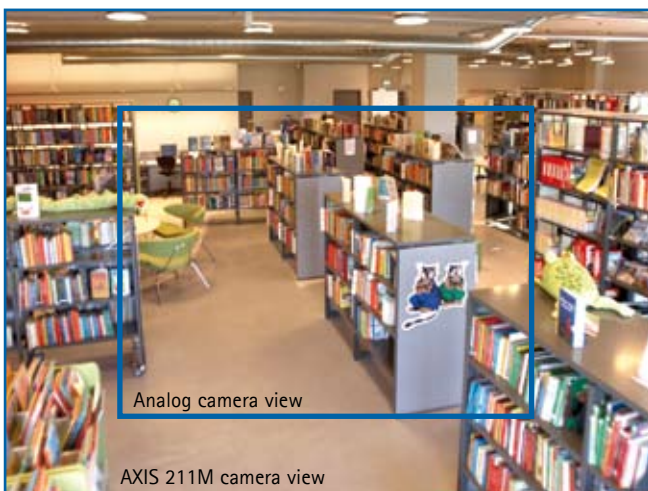
## EXCEPTIONAL IMAGE DETAIL

AXIS 211M Network Camera is a high-performance megapixel camera, designed for professional video surveillance. It features a 1.3 megapixel sensor that delivers crisp and clear images, perfect for the identification of objects and persons. The high-quality lens uses DC-iris control for improving the depth of field and protecting the sensor at intensely illuminated scenes. AXIS 211M is ideal for video surveillance in locations such as retail stores, schools, banks or governmental buildings.

The megapixel resolution allows important areas like entrances or checkouts to be monitored in great detail.



The increased resolution can also be used to provide a significantly larger overview. The inner rectangle below shows the area covered by an analog high-resolution camera. With the same number of pixels per area, the full 1280x1024 resolution provided by AXIS 211M - the outer rectangle below - covers a three times larger scene.



## SUPERIOR IMAGE QUALITY

### PROGRESSIVE SCAN

With traditional interlaced scanning NTSC/PAL techniques, every image consists of two frames that are captured after each other and merged together. This results in degraded quality when freezing the image. AXIS 211M instead uses progressive scan, capturing the full image at the same moment, which provides non-distorted, superior quality images with drastically reduced motion blur.



*Interlaced scan, 20 ms difference between odd and even lines*



*Progressive scan, all lines are captured at the same time*

### SIMULTANEOUS MOTION JPEG AND MPEG-4

AXIS 211M offers simultaneous Motion JPEG and MPEG-4 video streams in full 1.3 megapixel resolution. These streams can be optimized for image quality and bandwidth efficiency, by configuring the frame rate, resolution, compression level and format - offering up to 12 frames per second in full 1280x1024 resolution and 30 frames per second in 800x600 resolution (partial scan).

## POWER OVER ETHERNET

Equipped with Power over Ethernet (PoE) support, AXIS 211M is capable of using the same cable for both power and video, making installation quick and easy.

The consolidation of power enables the use of a central Uninterruptible Power Supply (UPS), adding resilience to the video surveillance system.

## TWO-WAY AUDIO SUPPORT

The two-way audio support includes the options of using the built-in microphone or an external audio capturing device, and connecting external speakers.

This enables remote users to listen in on an area and to communicate with visitors or intruders. Axis' audio enabled video products are capable of sending an alarm at a configurable audio detection level. Audio can be disabled when inappropriate.

## ADVANCED SECURITY AND NETWORK MANAGEMENT

AXIS 211M offers the highest degree of security by using multiple, password-protected user access levels, IP address filtering, HTTPS encryption and IEEE 802.1X network access control. With the appropriate access rights, video from AXIS 211M can be accessed from any computer, anywhere, at any time.

IPv6 is supported in addition to IPv4, as insurance against the growing shortage of IP addresses, eliminating the need for network address translation and simplifying configuration. Network utilization is optimized with the support for Quality of Service (QoS), which enables reservation of network capacity and prioritization of mission-critical surveillance in a QoS-aware network.

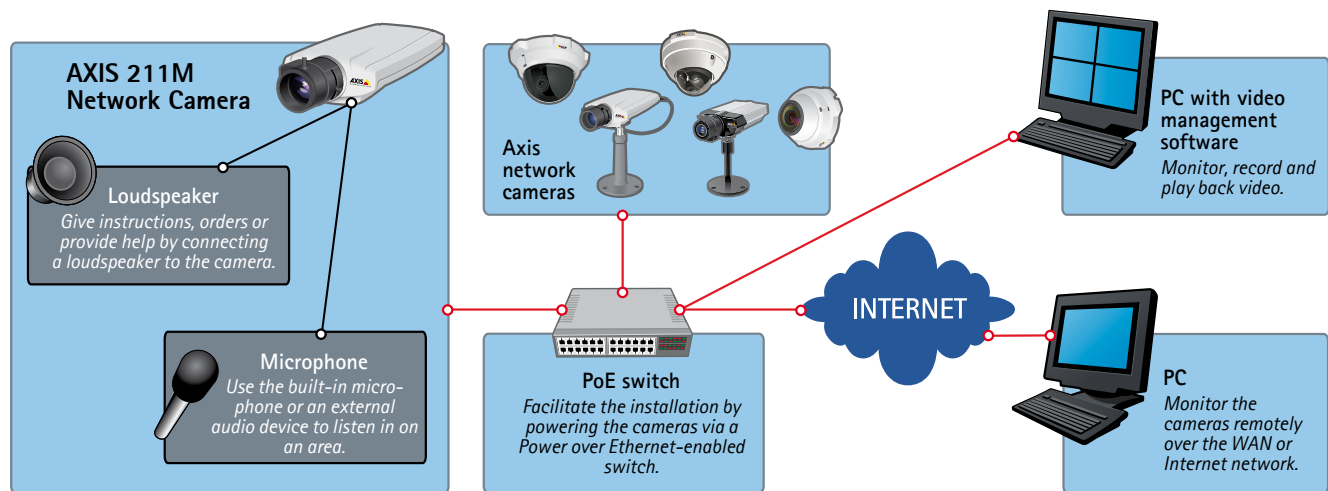
## POWERFUL EVENT MANAGEMENT

AXIS 211M allows for powerful event management with multi-window motion detection, audio detection and I/O (input/output) for connecting devices such as sensors and external relays to activate lights or open/close doors. Pre/post-image alarm buffering secures images just before and after an alarm. AXIS 211M is supported by AXIS Camera Station video management software, which offers remote video monitoring, recording and playback.

## OPEN PROGRAMMING INTERFACE FOR CUSTOMIZED APPLICATIONS

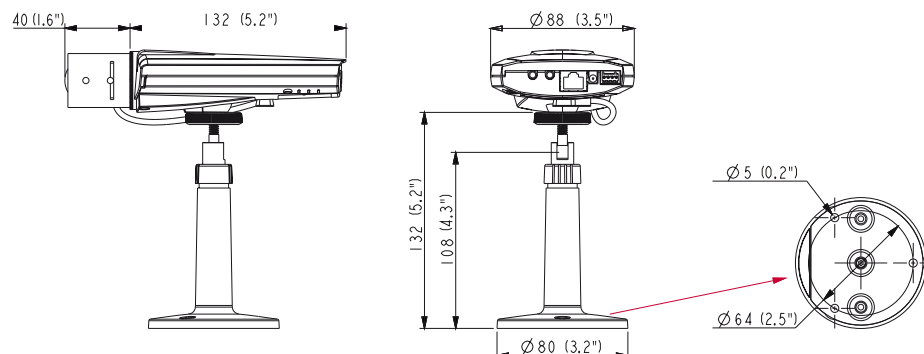
AXIS 211M supports the industry standard Axis Application Programming Interface, AXIS VAPIX™ API, which facilitates the development of customized software solutions. The API ensures compatibility with the market's widest range of third-party video management software, available from Axis Application Development Partners.

## A TYPICAL INSTALLATION



## DIMENSIONS

Measurements in millimeters (inches)



## TECHNICAL SPECIFICATIONS – AXIS 211M NETWORK CAMERA

<b>Image sensor</b>	1/3" Micron progressive scan RGB CMOS 1.3 Megapixel	<b>Processors and memory</b>	CPU, video processing and compression: ARTPEC-A RAM: 64 MB, Flash: 8 MB Battery backed-up real-time clock
<b>Lens</b>	3.0 – 8.0 mm, F1.0, DC-iris, CS mount	<b>Power</b>	7-20 V DC max 5 W Power over Ethernet IEEE 802.3af, Class 2 power classification
<b>Angle of view</b>	35°-93° horizontal	<b>Operating conditions</b>	0 – 45 °C (32 – 113 °F) Humidity 20 – 80% RH
<b>Minimum illumination</b>	1 lux, F1.0	<b>Installation, management and maintenance</b>	AXIS Camera Management tool on CD and web-based configuration Configuration of backup and restore Firmware upgrades over HTTP or FTP, firmware available at <a href="http://www.axis.com">www.axis.com</a>
<b>Video compression</b>	Motion JPEG MPEG-4 Part 2 (ISO/IEC 14496-2) with motion estimation Profiles: Simple Profile level 0-3 and Advanced Simple Profile level 0-5	<b>Video access from web browser</b>	Camera live view, video recording to file (ASF), sequence tour for up to 20 external Axis video sources, customizable HTML pages
<b>Resolutions</b>	24 resolutions from 1280x1024 to 160x90 via API 22 selections via configuration web page	<b>Minimum web browsing requirements</b>	Pentium III CPU 500 MHz or higher, or equivalent MD 128 MB RAM, AGP graphics card 32 MB RAM, Direct Draw Windows XP, 2000, 2003 Server, DirectX 9.0 or later Internet Explorer 6.x or later For other operating systems and browsers see <a href="http://www.axis.com/techsup">www.axis.com/techsup</a>
<b>Frame rate</b>	Motion JPEG: Up to 12 fps at 1280x1024 20 fps at 1024x768 (partial scan) 30 fps at 800x600 (partial scan) MPEG-4: Up to 8 fps at 1280x1024 13 fps at 1024x768 (partial scan) 20 fps at 800x600 (partial scan) Partial scan takes the data from the center region of the sensor and scales it down to present an image at optimal frame rate	<b>System integration support</b>	Open API for application integration including AXIS VAPIX API*, AXIS Media Control SDK*, event trigger data in video stream Quality of Service (QoS) Layer 3, DiffServ Model Embedded Linux operating system  * Available at <a href="http://www.axis.com">www.axis.com</a>
<b>Video streaming</b>	Simultaneous Motion JPEG and MPEG-4 Controllable frame rate and bandwidth Constant and variable bit rate (MPEG-4)	<b>Supported protocols</b>	IPv4/v6, HTTP, HTTPS, SSL/TLS*, TCP, QoS, SNMPv1/v2c/v3 (MIB-II), RTSP, RTP, UDP, IGMP, RTCP, SMTP, FTP, ICMP, DHCP, UPnP, Bonjour, ARP, DNS, DynDNS, SOCKS, IEEE802.1X. More information on protocol usage available at <a href="http://www.axis.com">www.axis.com</a>  <i>*This product includes software developed by the Open SSL Project for use in the Open SSL Tool kit (<a href="http://www.openssl.org">www.openssl.org</a>)</i>
<b>Image settings</b>	Compression levels: 100 Rotation: 0°, 180° Configurable color level, brightness, sharpness, contrast, white balance, exposure control Overlay capabilities: time, date, text, image or privacy mask	<b>Included accessories</b>	Power supply 9 V DC, stand, connector kit, Installation Guide, CD with installation tool, software and User's Manual, MPEG-4 licenses (1 encoder, 1 decoder), MPEG-4 decoder (Windows)
<b>Shutter time</b>	1/4 s to 1/15000 s	<b>Video management software (not incl.)</b>	AXIS Camera Station – Surveillance application for viewing, recording and archiving up to 25 cameras See <a href="http://www.axis.com/partner/adp_partners.htm">www.axis.com/partner/adp_partners.htm</a> for more software applications via partners
<b>Audio</b>	Two-way (full and half duplex) or one-way or audio off Built-in microphone, external microphone input or line input. Mono audio output (line level) connects to active speaker with built-in amplifier Audio compression: AAC LC 8 – 32kbit/s, G.711 PCM 64 kbit/s, G.726 ADPCM 32 or 24 kbit/s	<b>Accessories (not incl.)</b>	Housings for adverse indoor/outdoor environments Power over Ethernet midspans AXIS 292 Network Video Decoder MPEG-4 Decoder multi-user license pack
<b>Security</b>	Multiple user access levels with password protection IP address filtering HTTPS encryption IEEE 802.1X network access control	<b>Approvals</b>	EN 55022 Class B, EN 61000-3-2, EN 61000-3-3, EN 55024 FCC Part 15 Subpart B Class B, ICES-003 Class B, VCCI Class B, C-tick AS/NZS CISPR22, EN 60950-1 Power supply: EN 60950, UL, cUL
<b>Users</b>	20 simultaneous users Unlimited number of users using multicast (MPEG-4)	<b>Dimensions (H x W x D) and weight</b>	44 x 88 x 172 mm (1.7" x 3.5" x 6.8") 244 g (0.5 lb)
<b>Alarm and event management</b>	Events triggered by built-in motion detection, audio detection, external input or according to a schedule Image upload over FTP, email and HTTP Notification over TCP, email, HTTP and external output Pre- and post alarm buffer: up to 24 MB (300 images or more, in full 1280x1024 resolution)		
<b>Connectors</b>	RJ-45 for Ethernet 10BaseT/100BaseTX, Auto-MDIX Terminal block for 1 alarm input, 1 output and alternative power connection 3.5 mm jack for Mic or Line mono input 3.5 mm jack for Line mono output		

www.axis.com