

Overview:

The Altronix T24130WP Outdoor CCTV Camera Power Supply provides 24VAC with a total of 4 amp supply current. The NEMA 4 rated Outdoor enclosure permits installation close to the outdoor CCTV equipment which reduces the need for long wire runs, which eliminates voltage drops.

Specifications:

Input:

- Input 115VAC 50/60 Hz, .95 amp.

Output:

- 24VAC output.
- Four (4) amp supply current.
- Secondary fuse rated @ 5 amp/250V.

Additional Features:

- NEMA 4 rated outdoor enclosure.
- Ease of installation saves time and eliminates costly labor.

Enclosure Dimensions:

12"H x 8"W x 6"D

Installation Instructions:

1. Mount T24130WP in desired location
2. Connect the AC (115VAC 50/60 Hz) to the black and white flying leads of the transformer (*Fig. 1*).
3. Measure output voltage before connecting device.
This helps avoid potential damage.

WARNING: This installation should be made by qualified service personnel and should conform to all local codes and in accordance with the National Electrical Codes.

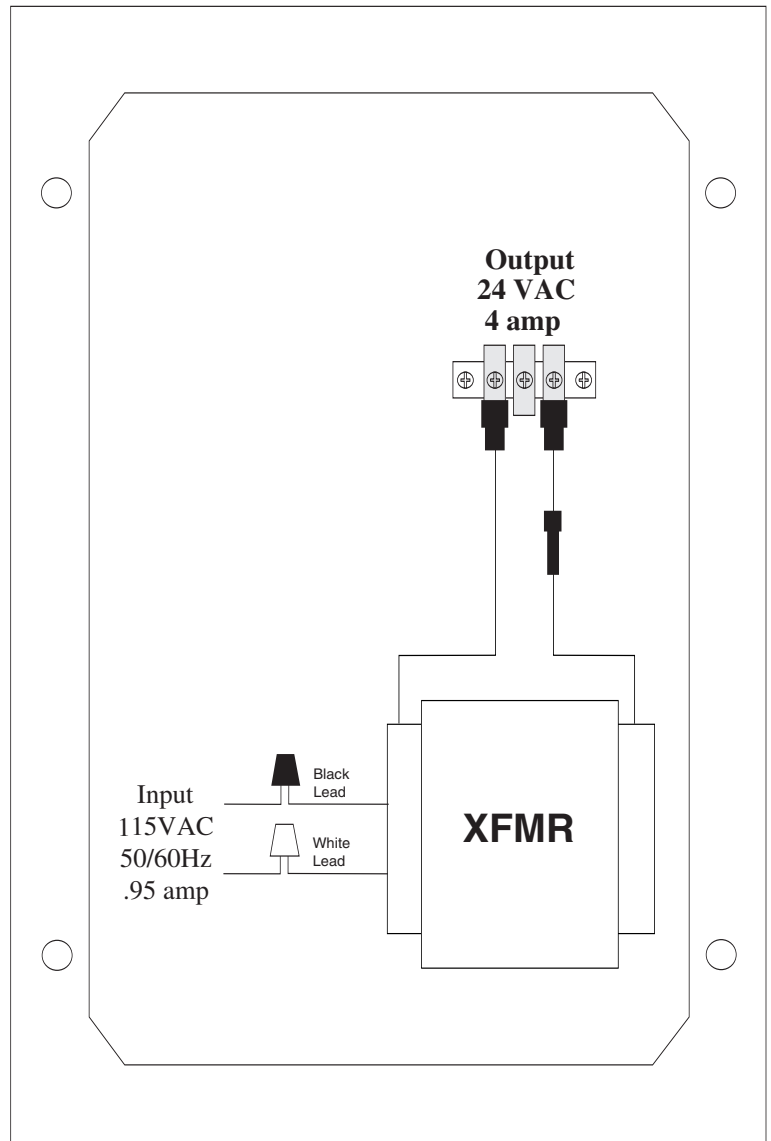
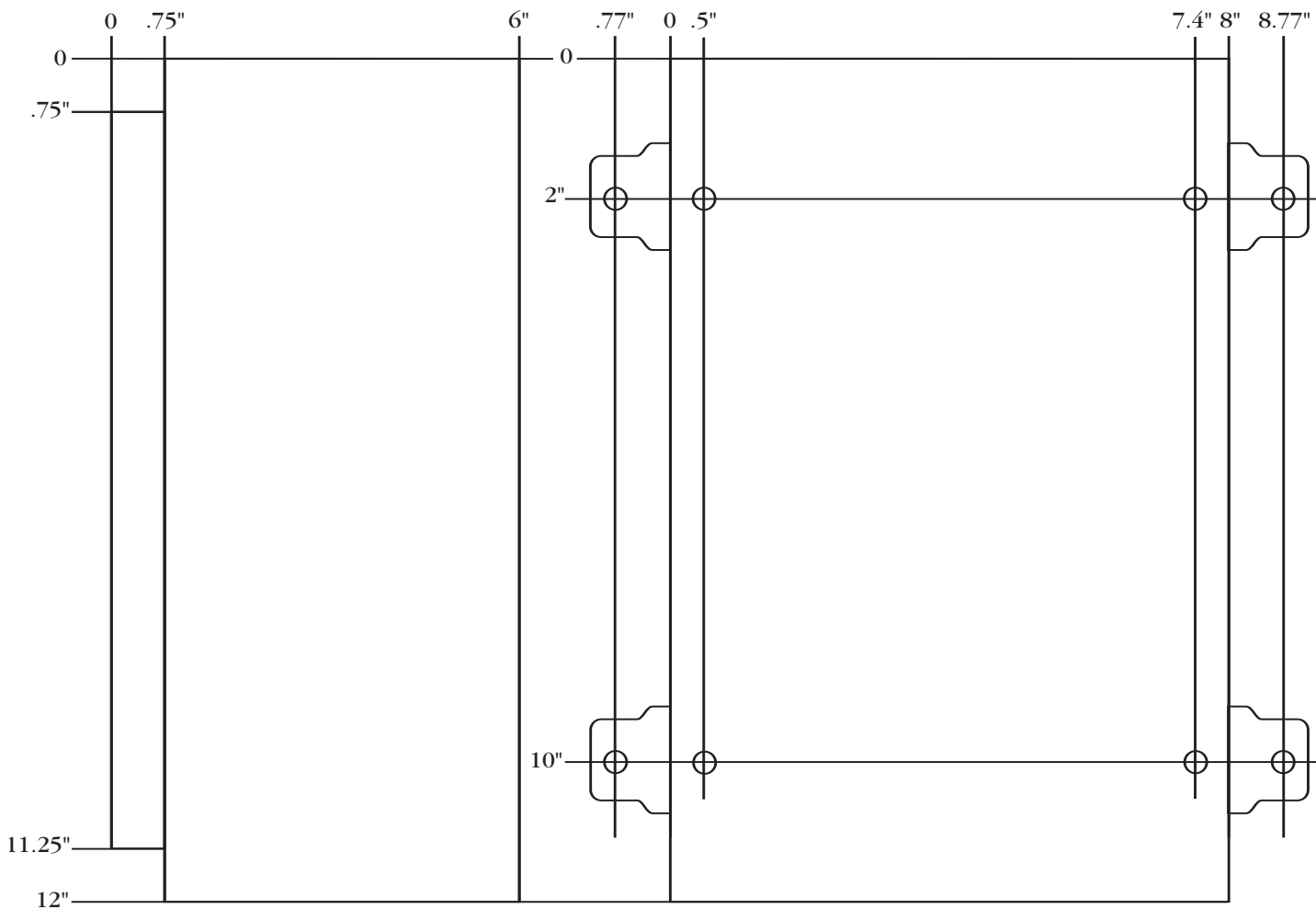


Fig. 1

Enclosure Dimensions:

12"H x 8"W x 6"D



Altronix is not responsible for any typographical errors. Product specifications are subject to change without notice.