



Overview

- DC Wall Mount CCTV Power Supplies provide 6VDC to 15VDC distributed via four (4) Class 2 Rated fuse or PTC protected power limited outputs for powering CCTV Cameras, heaters and other video accessories.

ALTV615DC44ULM

- Four (4) Class 2 Rated fused protected power limited outputs.

ALTV615DC44ULM3

- ALTV615DC44ULM w/factory installed 3-wire line cord.

ALTV615DC44UCBM

- Four (4) Class 2 Rated PTC power limited protected outputs.

ALTV615DC44UCBM3

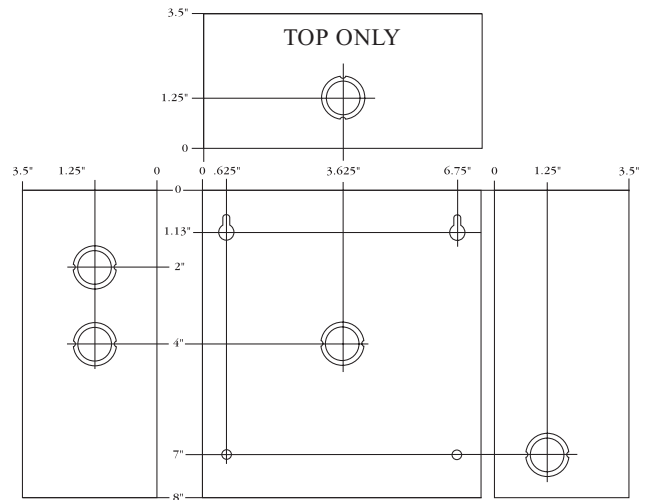
- ALTV615DC44UCBM w/factory installed 3-wire line cord.

Specifications

- Input 115VAC 50/60Hz, .9 amp.
- 6VDC to 15VDC adjustable @ 4 amp total supply current.
- Output ratings:
Fuses are rated @ 3.5 amp.
PTCs are rated @ 2.5 amp.
- Power ON/OFF switch.
- AC and DC power LEDs.
- Filtered and electronically regulated outputs.
- Short circuit and thermal overload protection.
- Unit maintains camera synchronization.
- Ease of installation saves time and eliminates costly labor.
- Spare fuses provided (on fuse protected models).

Enclosure Dimensions

8.5"H x 7.5"W x 3.5"D



Agency Approvals



UL Listed for Commercial CCTV Equipment (UL 2044).



CUL Listed - CSA Standard C22.2 No.1-98, Audio, Video and Similar Equipment.