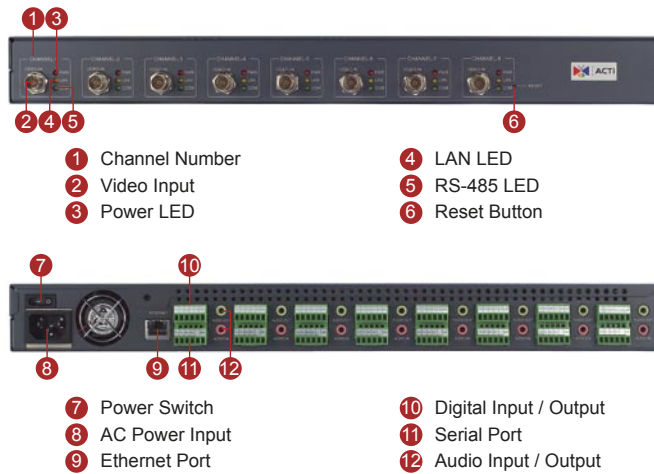


SED-2610

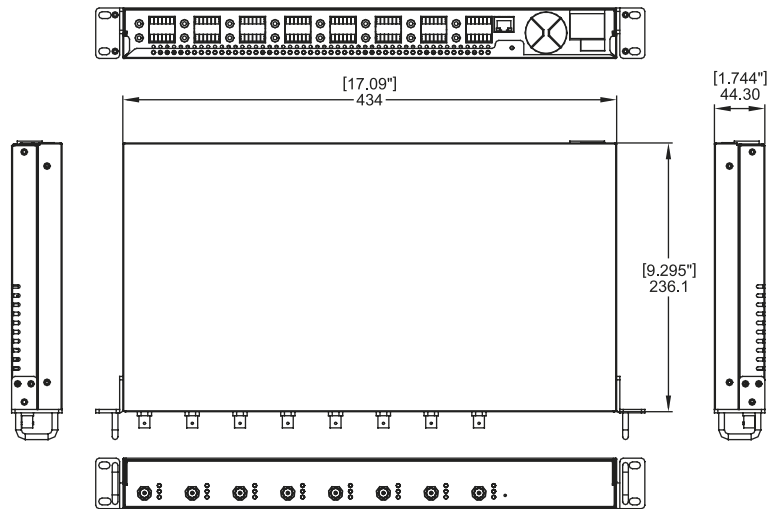
1U Rackmount 8-channel MPEG-4 Video Server with Two Way Audio

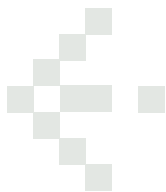


- MPEG-4 ASP compression
- CIF up to Full D1 resolution at 30/25 FPS
- Multi-stream with variable frame rate in the same compression
- Two way audio supported (per channel)
- Hardware motion detection, Digital Input / Output (per channel)
- Serial ports for each channel



DIMENSION DIAGRAM



**PRODUCT SPECIFICATION**

Video Compression		External I/O	
Compression	MPEG-4 ASP Compliant	Reset Button	Factory default
Picture Resolution	Full D1 (720 x 480 in NTSC, 720 x 576 in PAL); CIF (352 x 240 in NTSC, 352 x 288 in PAL); QCIF (160 x 112 in NTSC, 176 x 144 in PAL) (per channel)	LED	System status (per channel)
Bit Rate	28K ~ 3M bps (per channel)	Network	
Image Frame Rate	30fps at full D1 resolution (NTSC) 25fps at full D1 resolution (PAL) (per channel)	Ethernet	Ethernet (10/100Base-T), RJ-45 connector
Multi-stream	Up to 4 configurable frame rate/bit rate streams for preview and recording (per channel)	Protocol	TCP, UDP, IP, HTTP, DHCP, PPPoE, RTP, RTSP, FTP, SMTP, DNS, DDNS, NTP, ICMP, IGMP, ARP
Video Input		Software	
Composite Input	8, CVBS, 1.0Vp-p with 75Ω loading, BNC connector	Web Browser	Microsoft Internet Explorer 6.0 or above
Video Output		SDK	ACTi SDK-10000
Composite Output	N/A	PTZ Protocol*	Pelco-P_type1, Pelco-P_type2, Pelco-D, Dynacolor, Samsung, VCL, Videotrek, Kampro-V1, Kampro-V2
Audio Input		Security	Password protection: configured by the administrator
Compression	8kHz, Mono, PCM	Operating	
Audio Line Input	8, Unbalanced, 1.4 Vp-p, 1Vrms, 3.5 mm Phone Jack	Temperature	0 °C ~ 50 °C (32 °F ~ 122 °F)
Audio Output		Power	
Compression	8kHz, Mono, PCM	Power Requirement	AC 100 ~ 240 V 50 / 60 Hz
Audio Line Output	8, Unbalanced, 1.4 Vp-p, 1Vrms, 3.5 mm Phone Jack	Power Consumption	60 W
Alarm		Physical	
Input	2, TTL, terminal block (per channel)	Dimensions	434 mm x 236 mm x 44.3 mm (17.09" x 9.295" x 1.744")
Output	2, TTL, terminal block (per channel)	Weight	4.2 Kg
Remote Control		* These PTZ protocols are supported in ACTi NVR and Streaming Explorer. ** Adjust by inside jumper.	
Serial Port	RS-485 : half duplex, terminal block RS-422 : full duplex, terminal block RS-232** : full duplex, terminal block (per channel)		

ORDERING INFORMATION

Model Name	Description
SED-2610	1U Rackmount 8-channel MPEG-4 Video Server with Two Way Audio