

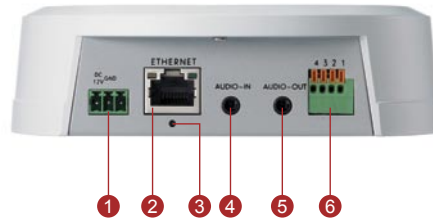


ACM-8511

IP PTZ Camera

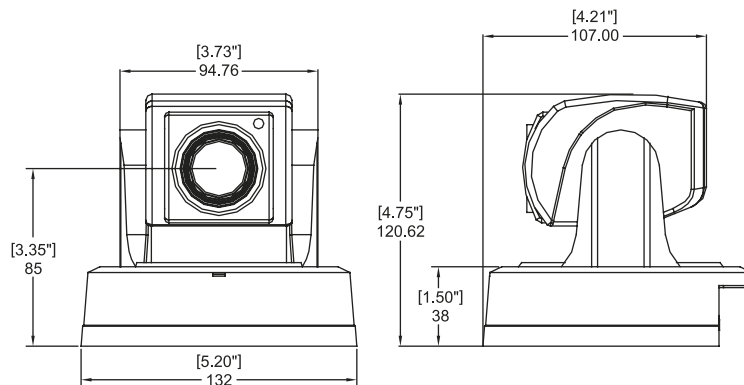


- 1/4 inch CCD Image Sensor
- Day and night function
- Optical zoom ratio 10X
- 0.009 Lux at F1.8 (5600° K, 50 IRE, Max. AGC, Max. Sense Up)
- Backlight Compensation, Auto Iris Control, Auto White Balance Supported
- Selectable MPEG-4 / MJPEG compression
- CIF up to Full D1 resolution at 30/25 FPS
- Multi-stream with variable frame rate in the same compression
- Two-way audio supported
- Hardware motion detection, Digital Input/Output
- DC 12 V or Power over Ethernet (IEEE 802.3af) supported

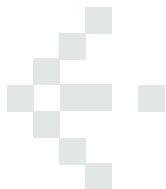


- | | |
|-----------------|-------------------------------------|
| ① Power Input | ④ Audio Input |
| ② Ethernet Port | ⑤ Audio Output |
| ③ Reset Button | ⑥ Digital Input / Transistor Output |

DIMENSION DIAGRAM



Unit: mm [inch]



PRODUCT SPECIFICATION

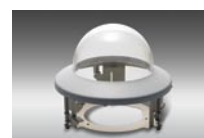
| | | ACM-8511 | |
|-------------------------|--------------------------|---|-------------------|
| Image | Device | 1/4 inch CCD Image Sensor | |
| | Size | 1/4 inch | |
| | Effective Pixels (HxV) | 811x508 (NTSC); 795x596 (PAL) | |
| | Horizontal Resolution | 480 TVL | |
| Min. Scene Illumination | Color | 2.5 Lux at F1.8 (5600°K, 50 IRE) | |
| | B/W | 0.009 Lux at F1.8 (5600° K, 50 IRE, Max. AGC, Max. Sense Up) | |
| Lens | Focal Length | 4.2 mm ~ 42 mm | |
| | Zoom Ratio | 10x | |
| | Aperture Ratio | F1.8 (Wide), F2.9 (Tele) | |
| | Diagonal angle | 56.4° (W) ~ 6.1° (T) | |
| | Digital Zoom | X1 ~ X10 variable | |
| Synchronization | Sync. System | Internal | |
| Day/Night Functions | Mechanical IR Cut Filter | N/A | |
| Functions | Motion Detection | Yes (3 Windows) | |
| | Electronic Shutter | 1/60 ~ 1/120,000 sec. (NTSC) 1/50 ~ 1/120,000 sec. (PAL) | |
| | Fixed Shutter | Yes (8 step) | |
| | BLC | Super BLC, 48 zone BLC | |
| | AGC | AUTO (18 dB max.) | |
| | White Balance | ATW / AWB / FIX | |
| | Number of Preset | 32 points | |
| | Preset Tour | 10 group | |
| | Auto Scan | Yes | |
| | S/N Ratio | S/N Ratio | Better than 44 dB |
| PAN/TILT | Manual Speed | Pan | 10° ~ 90° |
| | | Tilt | 10° ~ 70° |
| | Travel Range | Pan | 354° (0° ~ 354°) |
| | | Tilt | 115° (-25° ~ 90°) |
| Video Compression | Compression | MPEG-4 SP, MJPEG selectable | |
| | Picture Resolution | Full D1 (720 x 480 in NTSC, 720 x 576 in PAL) VGA (640 x 480 in NTSC, 640 x 480 in PAL) CIF (352 x 240 in NTSC, 352 x 288 in PAL) QCIF (176 x 120 in NTSC, 176 x 144 in PAL) | |
| | Image Frame Rate | 30 fps at full D1 resolution (NTSC) 25 fps at full D1 resolution (PAL) | |
| Audio Input | Compression | 8 kHz, Mono, PCM | |
| | Audio Line Input | Unbalanced, 1.4Vp-p, 1Vrms, 3.5 mm Phone Jack | |
| Audio Output | Compression | 8 kHz, Mono, PCM | |
| | Audio Line Output | Unbalanced, 1.4Vp-p, 1Vrms, 3.5 mm Phone Jack | |
| Alarm | Digital Input | 1, terminal block | |
| | Transistor Output | 1, terminal block | |
| External I/O | Reset Button | Factory default | |
| | LED | System status | |
| Network | Ethernet | Ethernet (10/100Base-T), RJ-45 connector | |
| | Protocol | TCP, UDP, IP, HTTP, DHCP, PPPoE, RTP, RTSP, FTP, SMTP, DNS, DDNS, NTP, ICMP, IGMP, ARP, 3GPP | |
| Software | Web Browser | Microsoft Internet Explorer 6.0 or above | |
| | SDK | ActiveX control, C SDK | |
| | Security | Password protection: configured by the administrator | |
| Operating | Temperature | 0 °C ~ 45 °C (32 °F ~ 112 °F) | |
| Power | Power Requirement | PoE (IEEE802.3af) with Class 3 | |
| | Power Consumption | 4.8 W (DV 12 V); 5.8 W (PoE) | |
| Physical | Dimensions (WxHxD) | 132 mm x 132 mm x 132 mm (5.20" x 5.20" x 5.20") | |

ORDERING INFORMATION

| Model Name | NTSC | PAL | D & N | DC 12V / PoE |
|------------|------|-----|-------|--------------|
| ACM-8511N | V | | V | V |
| ACM-8511P | | V | V | V |

ACCESSORY OPTIONS

- Flush mount kit R695-00022-100



R695-00022-100

* All specifications are subject to change without notice.
* All brand names and registered trademarks are the property of their respective owners.