

ACM-3001

IP Fixed Dome Camera

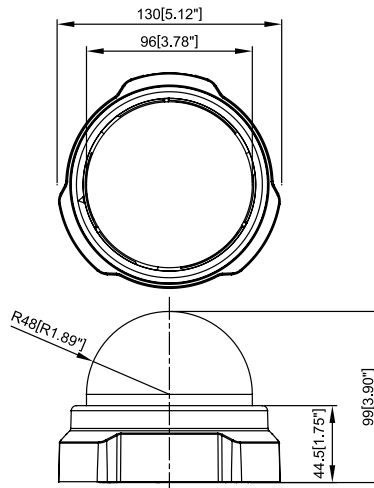


- 1/3" Micron Progressive Scan CMOS
- Integrated f4.2mm / F1.8 lens
- 0.5 Lux at F1.8
- Selectable MPEG-4 / MJPEG compression
- VGA resolution at 30 FPS
- Multi-stream with variable frame rate in the same compression
- Two-way audio supported
- Hardware motion detection
- DC 12 V or Power over Ethernet (IEEE 802.3af) supported
- Surface and wall mount supported

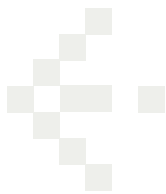


- 1 Audio Input / Output
- 2 Reset Button
- 3 DC 12 V Power Input
- 4 Ethernet Port

DIMENSION DIAGRAM



Unit: mm [inch]



PRODUCT SPECIFICATION

		ACM-3001
Image	Device	Micron Progressive Scan CMOS
	Size	1/3 inch
	Effective Pixels	640 x 480
Min. Scene Illumination	Color	0.5 Lux at F1.0 (2400 °K, 30 IRE)
	B/W	N/A
	IR Sensitivity	N/A
	CDS Sensor	N/A
Lens	Lens	f4.2 mm / F1.8
	Viewing Angle	75° (Horizontal)
Camera Angel Adjustment	X (Panning)	0° ~170°
	Y (Tilting)	0° ~90°
Synchronization	Sync. System	Internal
Day/Night Functions	Mechanical IR Cut Filter	N/A
	Motion Detection	Yes (3 Windows)
Functions	Electronic Shutter	1/5 ~ 1/2,000 sec. (60Hz); 1/5 ~ 1/2,000 sec. (50Hz)
	Flickerless	1/120 sec. (60Hz); 1/100 sec. (50Hz)
	BLC	Yes
	AGC	Automatic (User defined)
	White Balance	6 modes (AUTO,INDOOR1,INDOOR2,OUTDOOR1,OUTDOOR2, HOLD CURRENT,MANUAL) configurable
S/N Ratio	S/N Ratio	Better than 44 dB
Video Compression	Compression	MPEG-4 SP, MJPEG selectable
	Picture Resolution	VGA (640x480)
		QVGA(320x240)
		QQVGA(160x112)
Image Frame Rate	30 fps at VGA resolution	
Audio Input	Compression	8kHz, Mono, PCM
	Audio Line Input	Unbalanced, 1.4Vp-p, 1Vrms, terminal block
Audio Output	Compression	8kHz, Mono, PCM
	Audio Line Output	Unbalanced, 1.4Vp-p, 1Vrms, terminal block
External I/O	Reset Button	Factory default
Casing	Mount Types	Surface / Wall (option)
Network	Ethernet	Ethernet (10/100 Base-T), RJ-45 connector
	Protocol	TCP, UDP, IP, HTTP, DHCP, PPPoE, RTP, RTSP,FTP,SMTP,DNS,DDNS,NTP,ICMP,IGMP,ARP,3 GPP
Software	Web Browser	Microsoft Internet Explorer 6.0 or above
	SDK	ACTi SDK-10000
	Security	Password protection: configured by the administrator
Operating	Temperature	-10 °C ~ 50 °C (14 °F ~ 122 °F)
Power	Power Requirement	PoE (IEEE802.3af) with Class 3
	Power Consumption	3.3 W (DC 12 V); 4.3 W (PoE)
Physical	Dimensions (øxL)	130 mm x 99 mm (5.12" x 3.90")
	Weight	350 g (0.7 lb)

ORDERING INFORMATION

Model Name	Description
ACM-3001	IP Fixed Dome Camera

ACCESSORY OPTIONS

- Wall mount kit MTB-201-R0



MTB-201-R0

* All specifications are subject to change without notice.
 * All brand names and registered trademarks are the property of their respective owners.